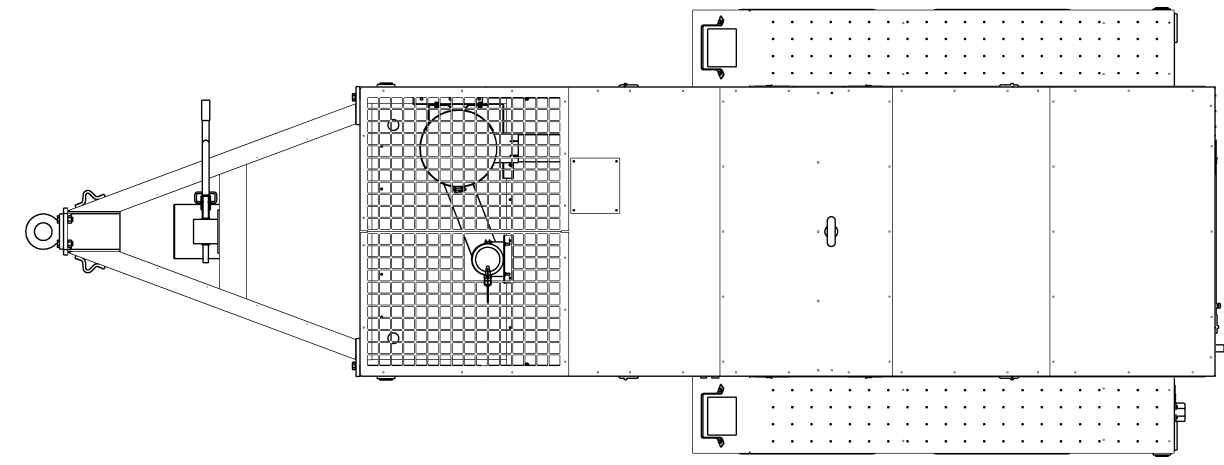
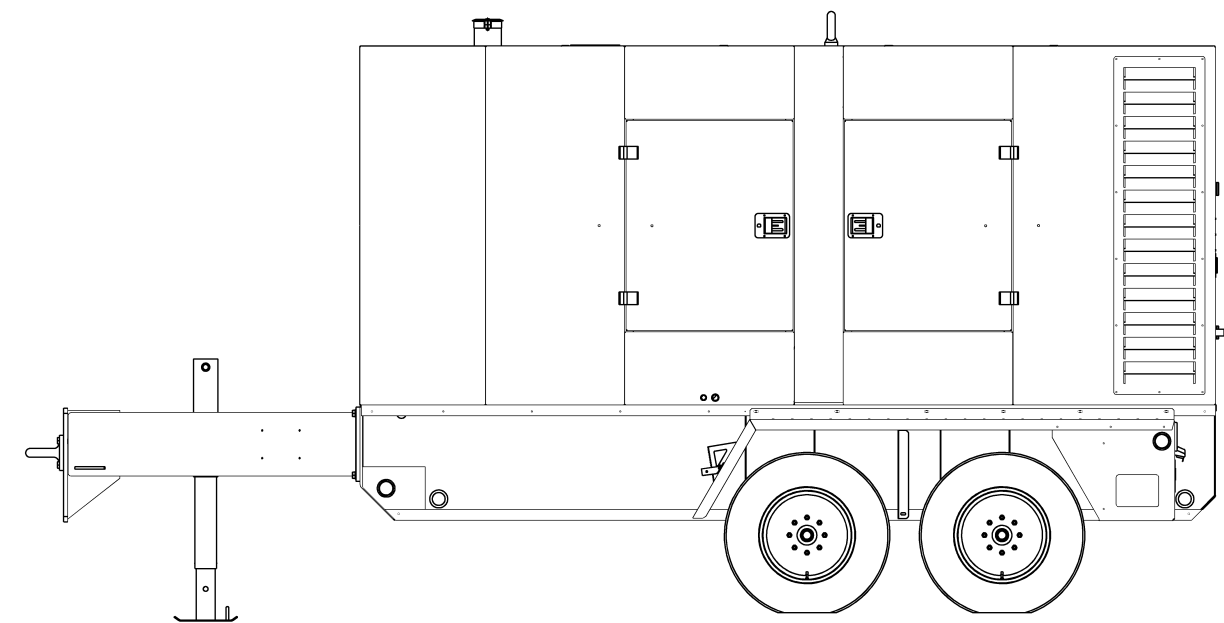


REVISIONS					
ZONE	REV	ECN	DESCRIPTION	DATE	DRAWN APP'D
	PRO-A		RELEASE FOR PROTOTYPE	2006AUG25	ARUN DYSON
	A	RCG30274	ORIGINAL RELEASE	2006DEC14	ARUN DYSON

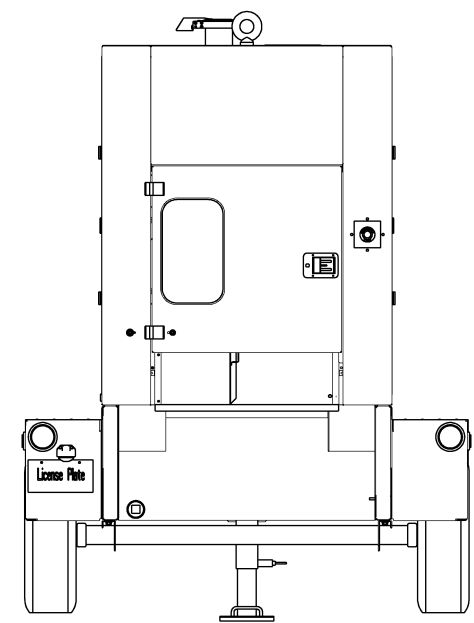
- NOTES:
- MINIMUM CLEARANCE OF 36 INCHES FROM OPPOSING SURFACES IS TO BE MAINTAINED ON ALL SIDES AND OVERHEAD DURING OPERATION.
 - INCH AND METRIC DIMENSIONS IN THE FIELD OF THE DRAWING ARE COMBINED BY PLACING THE METRIC DIMENSION BELOW THE INCH DIMENSION.
EXAMPLE: INCH 10.5
MM [267]



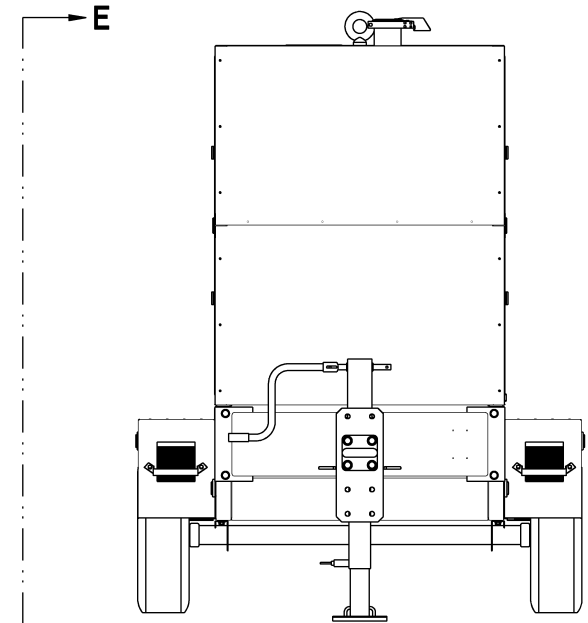
VIEW B
SEE SHEET 3 FOR ENLARGED VIEW



VIEW A
SEE SHEET 2 FOR ENLARGED VIEW



VIEW D
SEE SHEET 4 FOR ENLARGED VIEW



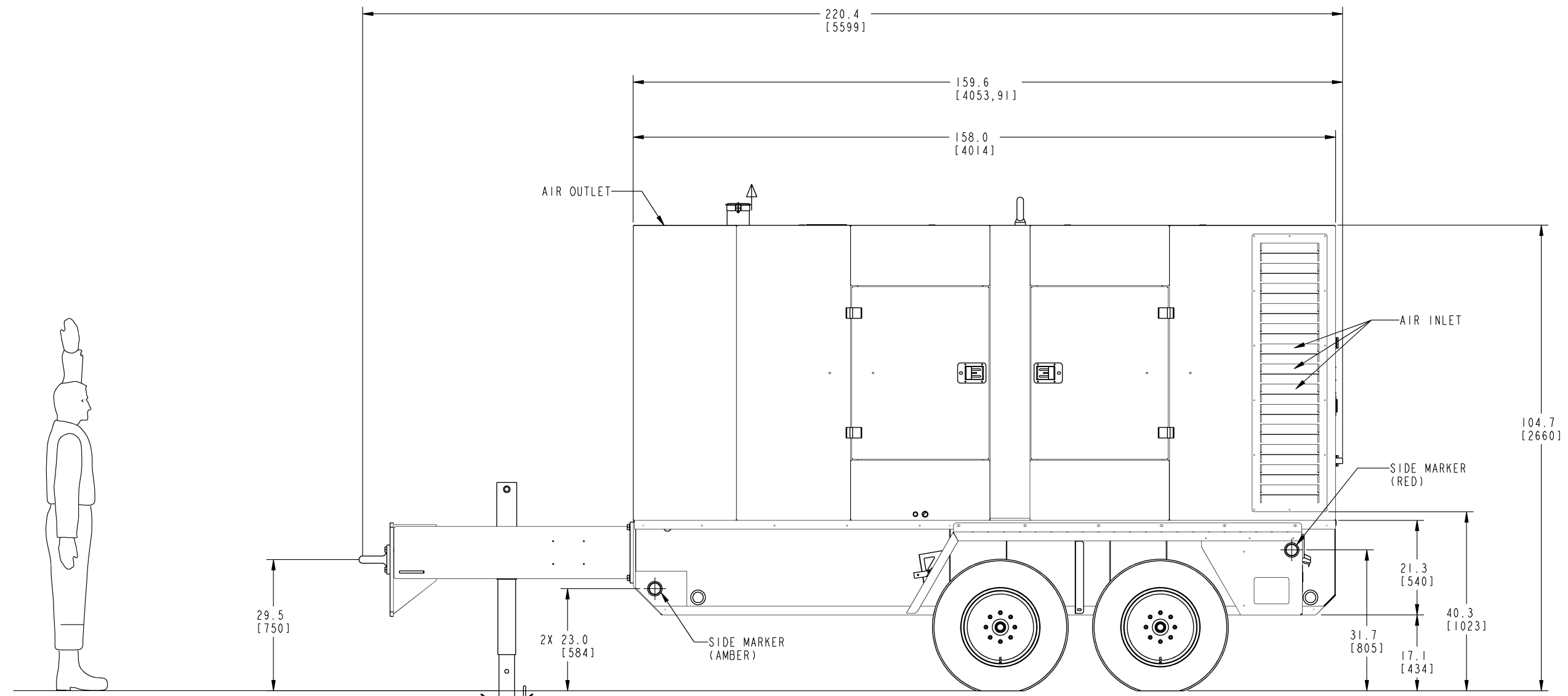
VIEW C
SEE SHEET 4 FOR ENLARGED VIEW

5
A5


TOLERANCES UNLESS OTHERWISE SPECIFIED, TOLERANCES ON DIMENSIONS ARE AS SPECIFIED ON DRAWING 58865731 UNLESS OTHERWISE SPECIFIED, ALL DIMENSIONS ARE IN MILLIMETERS. <small>Ingersoll-Rand Utility Equipment</small>	WARNING: THE EXPORT OR REEXPORT OF THIS DRAWING OR A PRODUCT PRODUCED BY THIS DRAWING IS SUBJECT TO U.S. EXPORT ADMINISTRATION REGULATIONS AND OTHER APPLICABLE GOVERNMENT RESTRICTIONS OR REGULATIONS. PROPRIETARY NOTICE THIS DRAWING CONTAINS CONFIDENTIAL AND TRADE SECRET INFORMATION, IS THE PROPERTY OF INGERSOLL-RAND CO., AND IS GIVEN TO THE RECEIVER IN CONFIDENCE. THE RECEIVER BY RECEPTION AND RETENTION OF THE DRAWING ACCEPTS THE DRAWING IN CONFIDENCE AND AGREES THAT, EXCEPT AS AUTHORIZED IN WRITING BY INGERSOLL-RAND CO., IT WILL (1) NOT USE THE DRAWING OR ANY COPY THEREOF OR THE CONFIDENTIAL OR TRADE SECRET INFORMATION THEREIN; (2) NOT COPY THE DRAWING; (3) NOT DISCLOSE TO OTHERS EITHER THE DRAWING OR THE CONFIDENTIAL OR TRADE SECRET INFORMATION THEREIN; AND (4) UPON COMPLETION OF THE NEED TO RETAIN THE DRAWING, OR UPON DEMAND, RETURN THE DRAWING, ALL COPIES THEREOF, AND ALL MATERIAL COPIED THEREFROM.	DO NOT SCALE DRAWING DRAWING CONFORMS TO ASME Y14.5M - 1994 CAD GENERATED DRAWING, NO MANUAL REVISIONS ALLOWED UNLESS OTHERWISE SPECIFIED: - REMOVE ALL BURRS AND SHARP CORNERS - WELD SYMBOLS TO BE IN ACCORDANCE WITH ANSI/AWS A2.4 COPYRIGHT © 2006 INGERSOLL-RAND COMPANY ALL RIGHTS RESERVED	THIRD ANGLE PROJECTION DRAWN: A. SALUNKE CHECKED: S. DYSON APPROVED: S. DYSON DATE: 2006AUG21 DATE: 2006AUG25 DATE: 2006AUG25	
	TITLE GENERAL ARRANGEMENT	SIZE: A1 SCALE: 0.06 ESTIMATED WEIGHT (KG UNLESS OTHERWISE SPECIFIED): DWG NO.: 22966816 UNIT: NOVA G290 SHEET 1 OF 6		

8 7 6 5 4 3 2 1

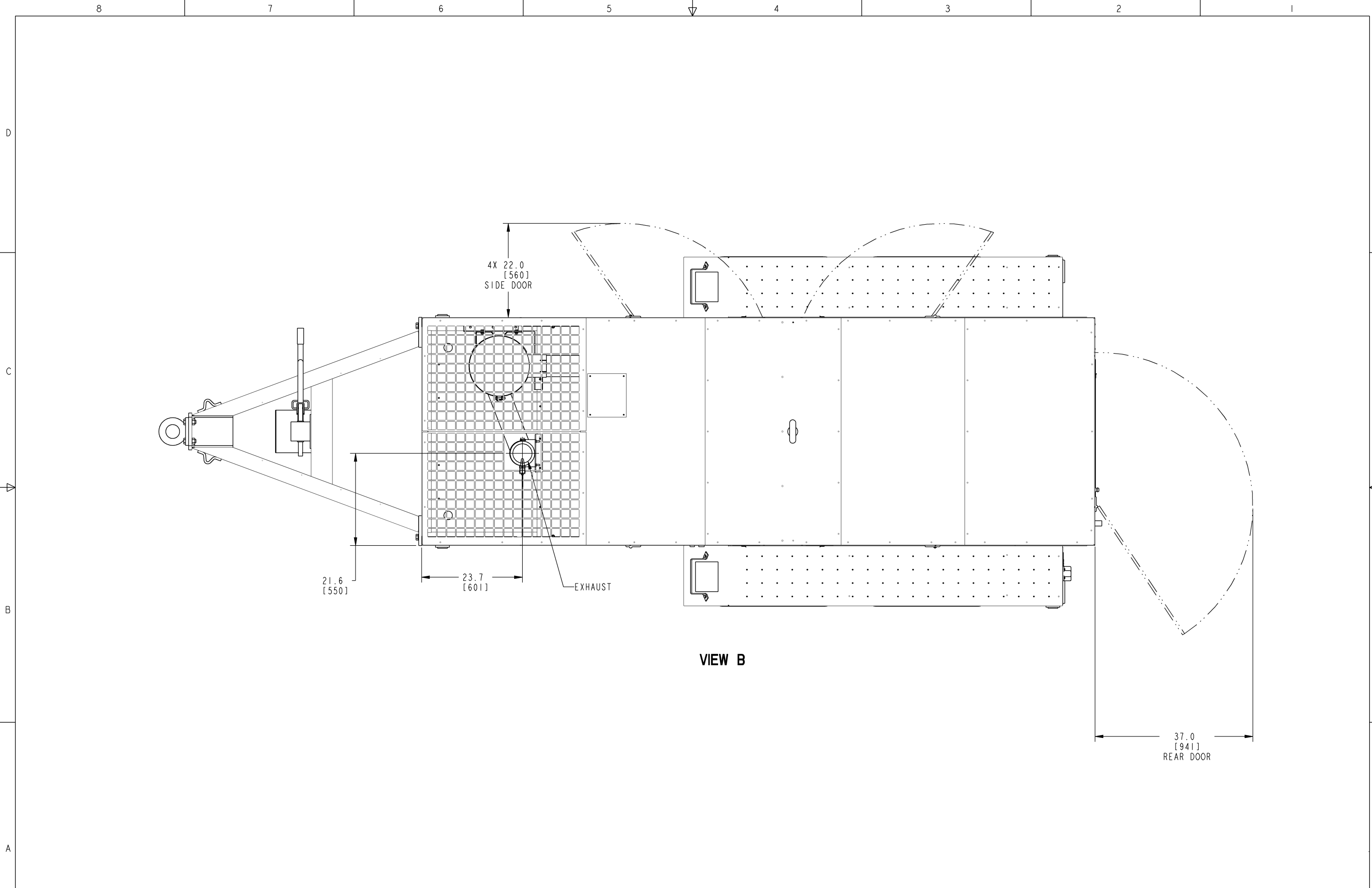
D
C
B
A




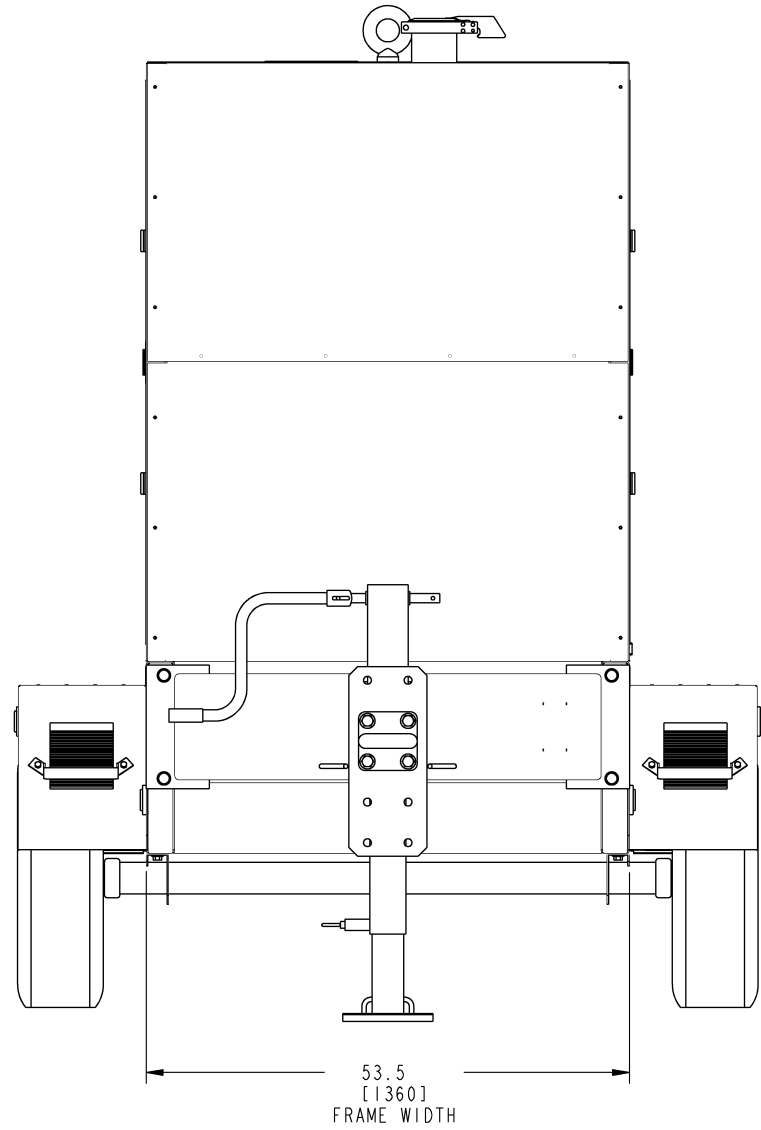
VIEW A

<small>PROPRIETARY NOTICE</small> <small>THIS DRAWING CONTAINS CONFIDENTIAL AND TRADE SECRET INFORMATION. IF THE PROPERTY OF INERSOL-RAND CO., AND IS GIVEN TO THE RECEIVER IN CONFIDENCE. THE RECEIVER BY ACCEPTANCE AND RETENTION OF THE DRAWING ACCEPTS THE DRAWING IN CONFIDENCE AND AGREES THAT, EXCEPT AS AUTHORIZED IN WRITING BY INERSOL-RAND CO., IT WILL (1) NOT USE THE DRAWING OR ANY COPY THEREOF OR THE CONFIDENTIAL OR TRADE SECRET INFORMATION THEREIN; (2) NOT COPY THE DRAWING; (3) NOT DISCLOSE TO OTHERS EITHER THE DRAWING OR THE CONFIDENTIAL OR TRADE SECRET INFORMATION THEREIN; AND (4) UPON COMPLETION OF THE NEED TO RETAIN THE DRAWING, OR UPON DEMAND, RETURN THE DRAWING, ALL COPIES THEREOF, AND ALL MATERIAL, COPIED THEREFROM.</small>		<small>TITLE</small> GENERAL ARRANGEMENT		
<small>SIZE</small> A1	<small>DWG NO.</small> 22966816	<small>REV</small> A	<small>SHEET</small> 2 OF 6	

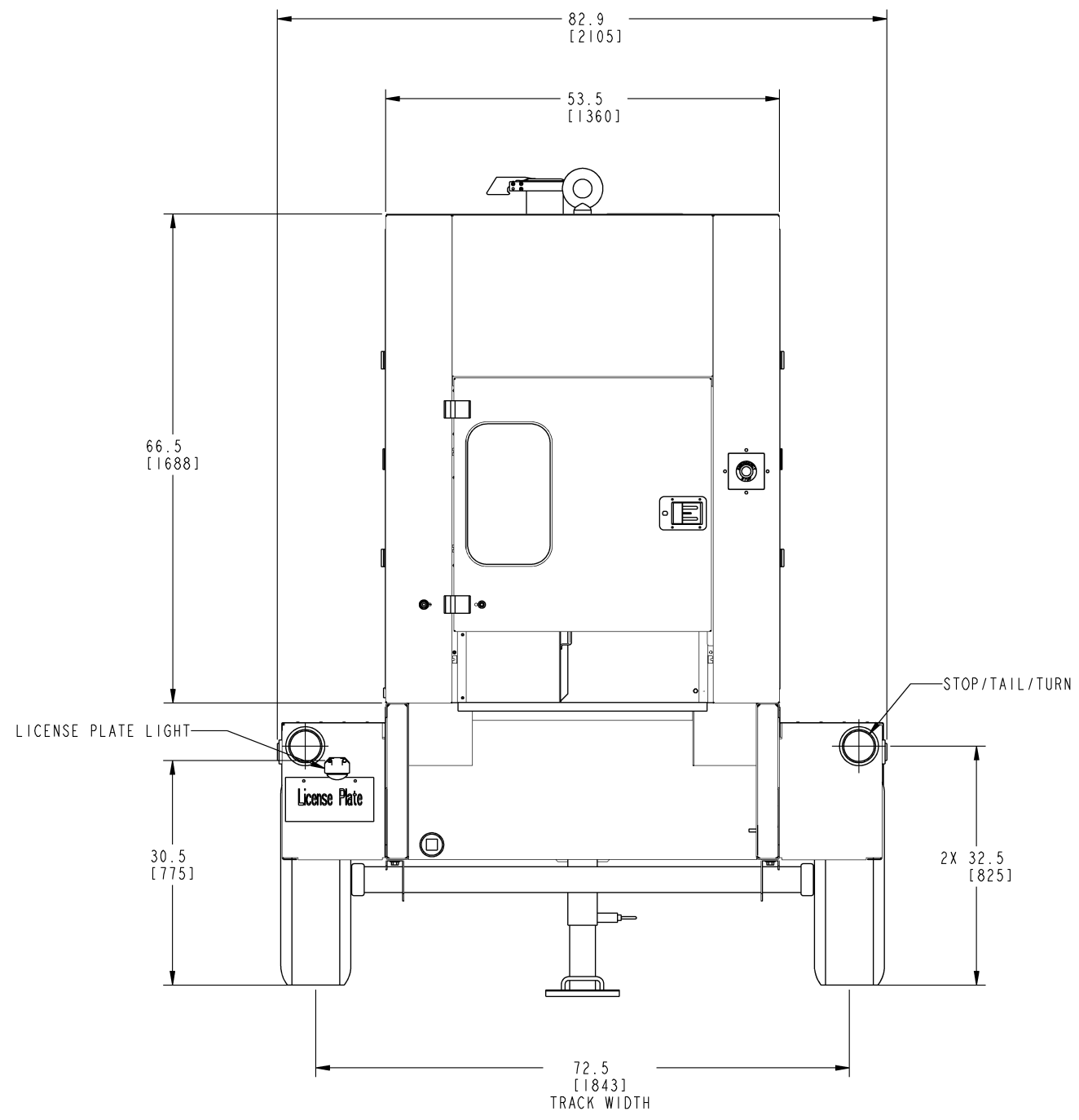
8 7 6 5 4 3 2 1




<small>PROPRIETARY NOTICE</small> <small>THIS DRAWING CONTAINS CONFIDENTIAL AND TRADE SECRET INFORMATION. IT IS THE PROPERTY OF INERSOL-RAND CO., AND IS LOANED TO THE RECEIVER IN CONFIDENCE. THE RECEIVER BY ACCEPTANCE AND RETENTION OF THE DRAWING ACCEPTS THE DRAWING IN CONFIDENCE AND AGREES THAT, EXCEPT AS AUTHORIZED IN WRITING BY INERSOL-RAND CO., IT WILL (1) NOT USE THE DRAWING OR ANY COPY THEREOF OR THE CONFIDENTIAL OR TRADE SECRET INFORMATION THEREIN; (2) NOT COPY THE DRAWING; (3) NOT DISCLOSE TO OTHERS EITHER THE DRAWING OR THE CONFIDENTIAL OR TRADE SECRET INFORMATION THEREIN; AND (4) UPON COMPLETION OF THE NEED TO RETAIN THE DRAWING, OR UPON DEMAND, RETURN THE DRAWING, ALL COPIES THEREOF, AND ALL MATERIAL COPIED THEREFROM.</small>		<small>TITLE</small> GENERAL ARRANGEMENT		
<small>SIZE</small> A1	<small>DWG NO.</small> 22966816	<small>REV</small> A	<small>SHEET</small> 3 OF 6	



VIEW C



VIEW D

<small>PROPRIETARY NOTICE</small> <small>THIS DRAWING CONTAINS CONFIDENTIAL AND TRADE SECRET INFORMATION. IS THE PROPERTY OF INVERSOFT-RAND CO., AND IS GIVEN TO THE RECEIVER IN CONFIDENCE. THE RECEIVER BY ACCEPTANCE AND RETENTION OF THE DRAWING ACCEPTS THE DRAWING IN CONFIDENCE AND AGREES THAT, EXCEPT AS AUTHORIZED IN WRITING BY INVERSOFT-RAND CO., IT WILL (1) NOT COPY THE DRAWING, (2) NOT DISCLOSE TO OTHERS EITHER THE DRAWING OR THE CONFIDENTIAL OR TRADE SECRET INFORMATION THEREIN, AND (3) UPON COMPLETION OF THE NEED TO RETAIN THE DRAWING, OR UPON DEMAND, RETURN THE DRAWING, ALL COPIES THEREOF, AND ALL MATERIAL COPIED THEREFROM.</small>		<small>TITLE</small> GENERAL ARRANGEMENT		
<small>SIZE</small> A1	<small>DWG NO.</small> 22966816	<small>REV</small> A	<small>SHEET</small> 4 OF 6	
<small>SCALE:</small> 0.10				

8 7 6 5 4 3 2 1

D

D

C

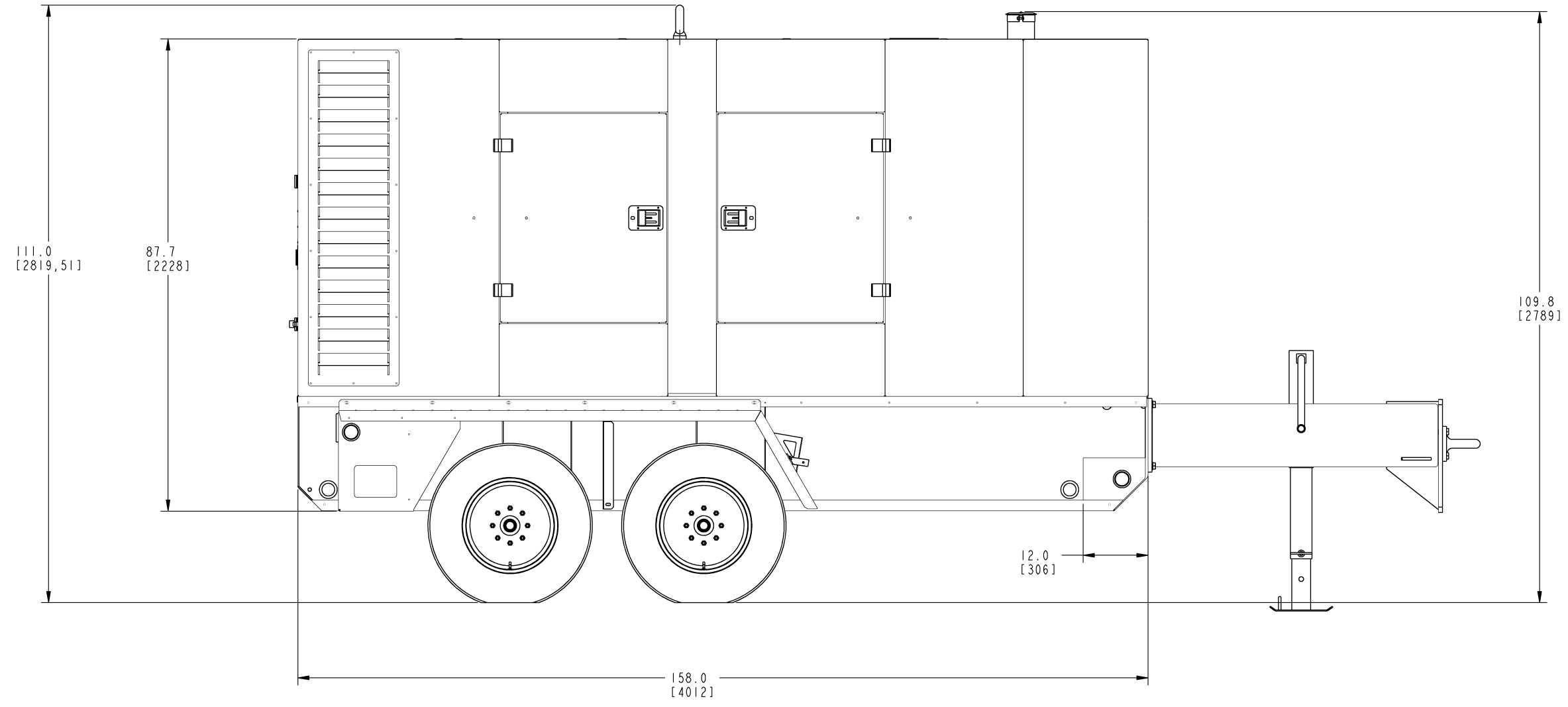
C

B

B


A

A

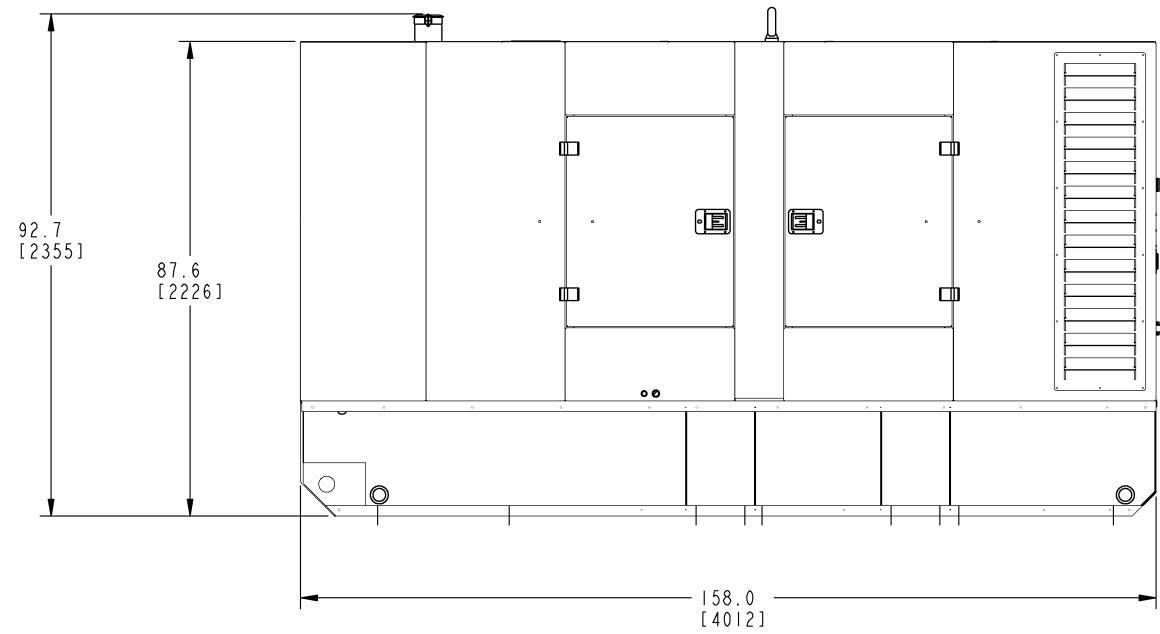


VIEW E-E

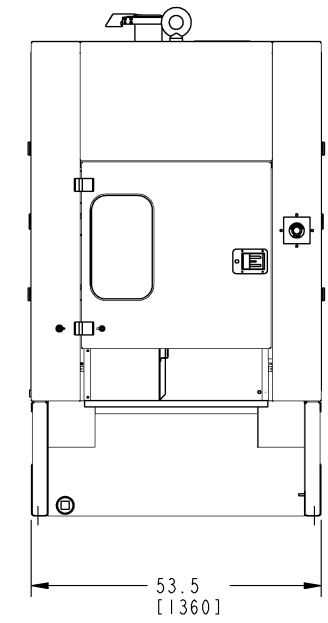
I
A8

<small>PROPRIETARY NOTICE</small> <small>THIS DRAWING CONTAINS CONFIDENTIAL AND TRADE SECRET INFORMATION. IF THE PROPERTY OF INVERSOIL-RAND CO., AND IS GIVEN TO THE RECEIVER IN CONFIDENCE. THE RECEIVER BY ACCEPTANCE AND RETENTION OF THE DRAWING ACCEPTS THE DRAWING AS CONFIDENTIAL AND AGREES THAT, EXCEPT AS AUTHORIZED IN WRITING BY INVERSOIL-RAND CO., IT WILL (1) NOT USE THE DRAWING OR ANY COPY THEREOF OR THE CONFIDENTIAL OR TRADE SECRET INFORMATION THEREIN; (2) NOT COPY THE DRAWING; (3) NOT DISCLOSE TO OTHERS EITHER THE DRAWING OR THE CONFIDENTIAL OR TRADE SECRET INFORMATION THEREIN; AND (4) UPON COMPLETION OF THE NEED TO RETAIN THE DRAWING, OR UPON DEMAND, RETURN THE DRAWING, ALL COPIES THEREOF, AND ALL MATERIAL COPIED THEREFROM.</small>		<small>TITLE</small> GENERAL ARRANGEMENT		
<small>SIZE</small> A1	<small>DWG NO.</small> 22966816	<small>REV</small> A	<small>SHEET</small> 5 OF 6	

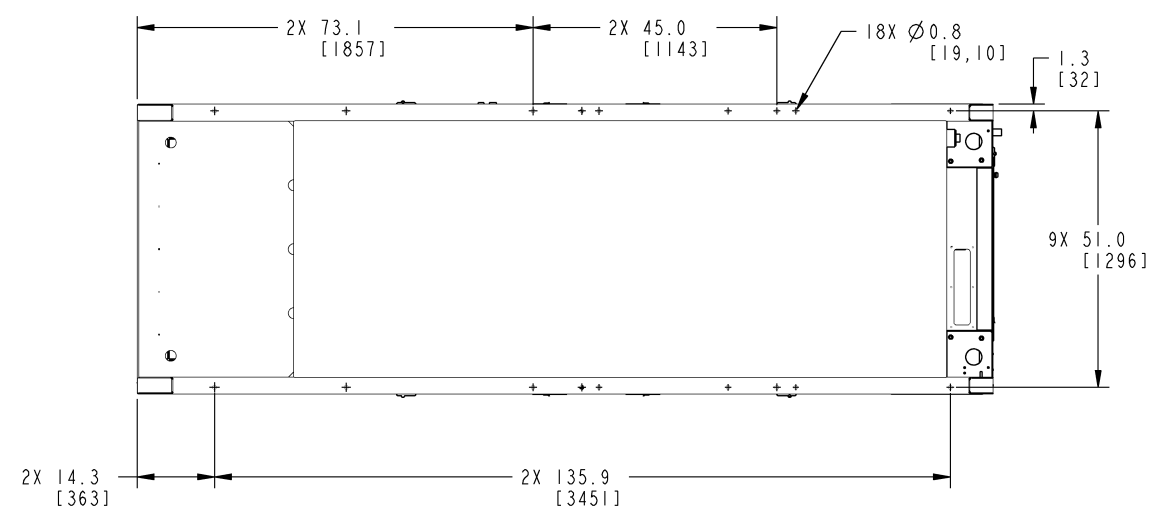
8 7 6 5 4 3 2 1




LESS RUNNING GEAR OPTION
(LEFT VIEW)



LESS RUNNING GEAR OPTION
(CONTROLS VIEW)



LESS RUNNING GEAR OPTION
(BOTTOM VIEW)

<small>PROPRIETARY NOTICE</small> <small>THIS DRAWING CONTAINS CONFIDENTIAL AND TRADE SECRET INFORMATION. IF THE PROPERTY OF INGERSOLL-RAND CO., AND IS GIVEN TO THE RECEIVER IN CONFIDENCE. THE RECEIVER BY ACCEPTANCE AND RETENTION OF THE DRAWING ACCEPTS THE DRAWING IN CONFIDENCE AND AGREES THAT, EXCEPT AS AUTHORIZED IN WRITING BY INGERSOLL-RAND CO., IT WILL (1) NOT COPY THE DRAWING; (2) NOT DISCLOSE TO OTHERS EITHER THE DRAWING OR THE CONFIDENTIAL OR TRADE SECRET INFORMATION THEREIN; AND (3) UPON COMPLETION OF THE NEED TO RETAIN THE DRAWING, OR UPON DEMAND, RETURN THE DRAWING, ALL COPIES THEREOF, AND ALL MATERIAL COPIED THEREFROM.</small>		<small>TITLE</small> GENERAL ARRANGEMENT	 <small>REV</small> A
<small>SIZE</small> A1	<small>DWG NO.</small> 22966816	<small>SCALE</small> 0.06	