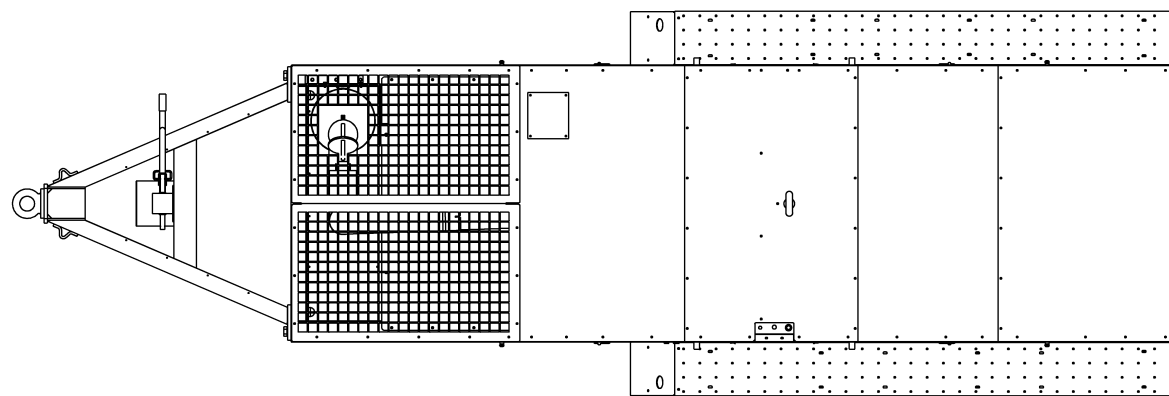


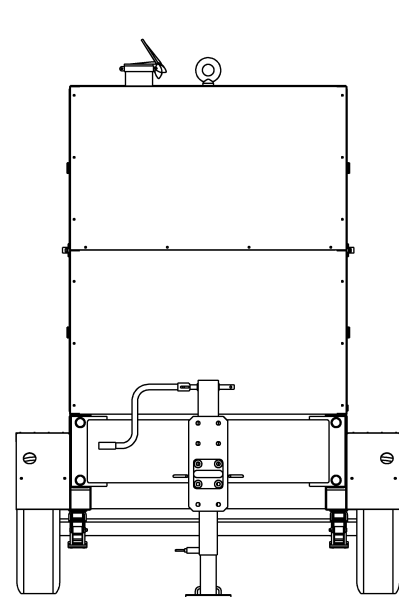
NOTES :

1. MINIMUM CLEARANCE OF 36 INCHES FROM OPPOSING SURFACES IS TO BE MAINTAINED ON ALL SIDES AND OVERHEAD DURING OPERATION.
2. INCH AND METRIC DIMENSIONS IN THE FIELD OF THE DRAWING ARE COMBINED BY PLACING THE METRIC DIMENSION BELOW THE INCH DIMENSION.
EXAMPLE : INCH 10.5
MM [267]

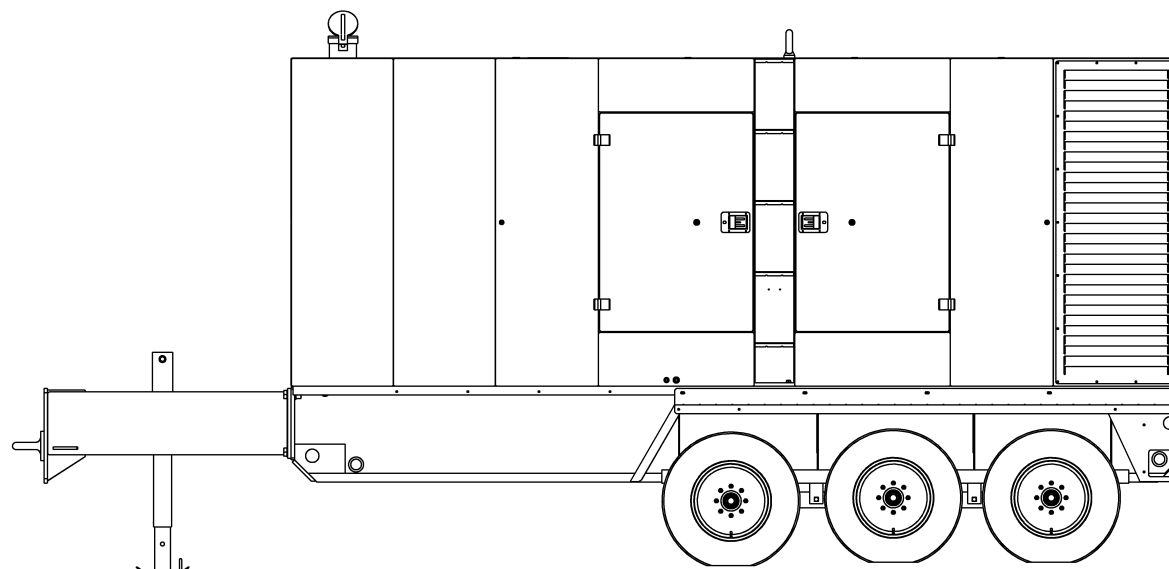
REVISIONS					
ZONE	REV	ECN	DESCRIPTION	DATE	DRAWN APP'D
	PRO-A		RELEASE FOR PROTOTYPE	2006AUG25	ARUN DYSON
	A	RCG30274	ORIGINAL RELEASE	2006NOV17	WYAL DYSON



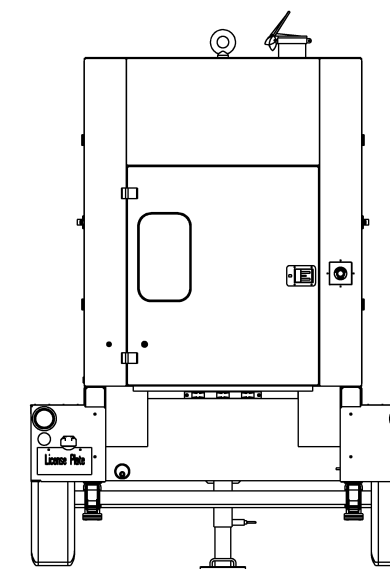
VIEW B
SEE SHEET 3 FOR ENLARGED VIEW



VIEW C
SEE SHEET 4 FOR ENLARGED VIEW



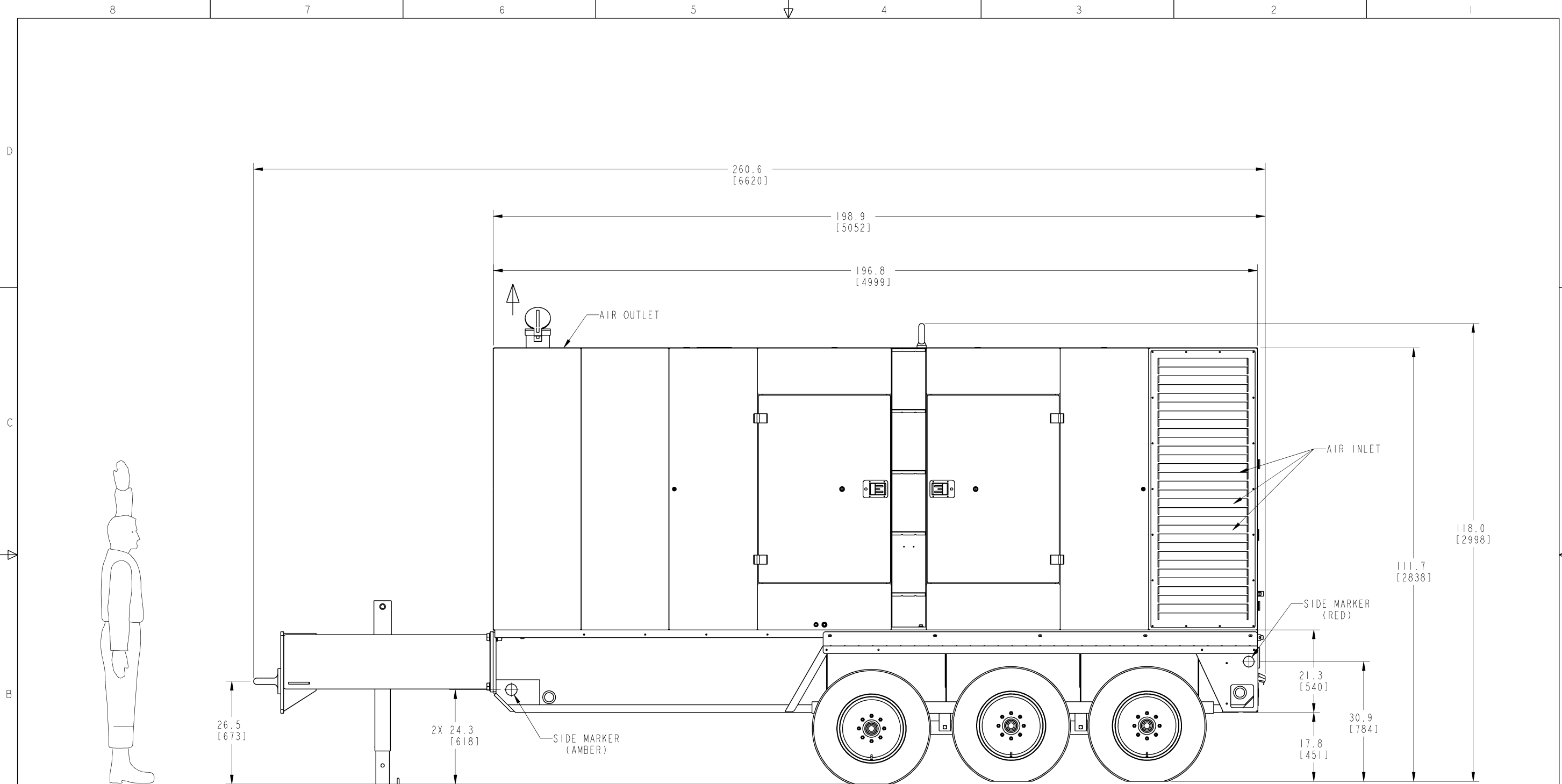
VIEW A
SEE SHEET 2 FOR ENLARGED VIEW



VIEW D
SEE SHEET 4 FOR ENLARGED VIEW

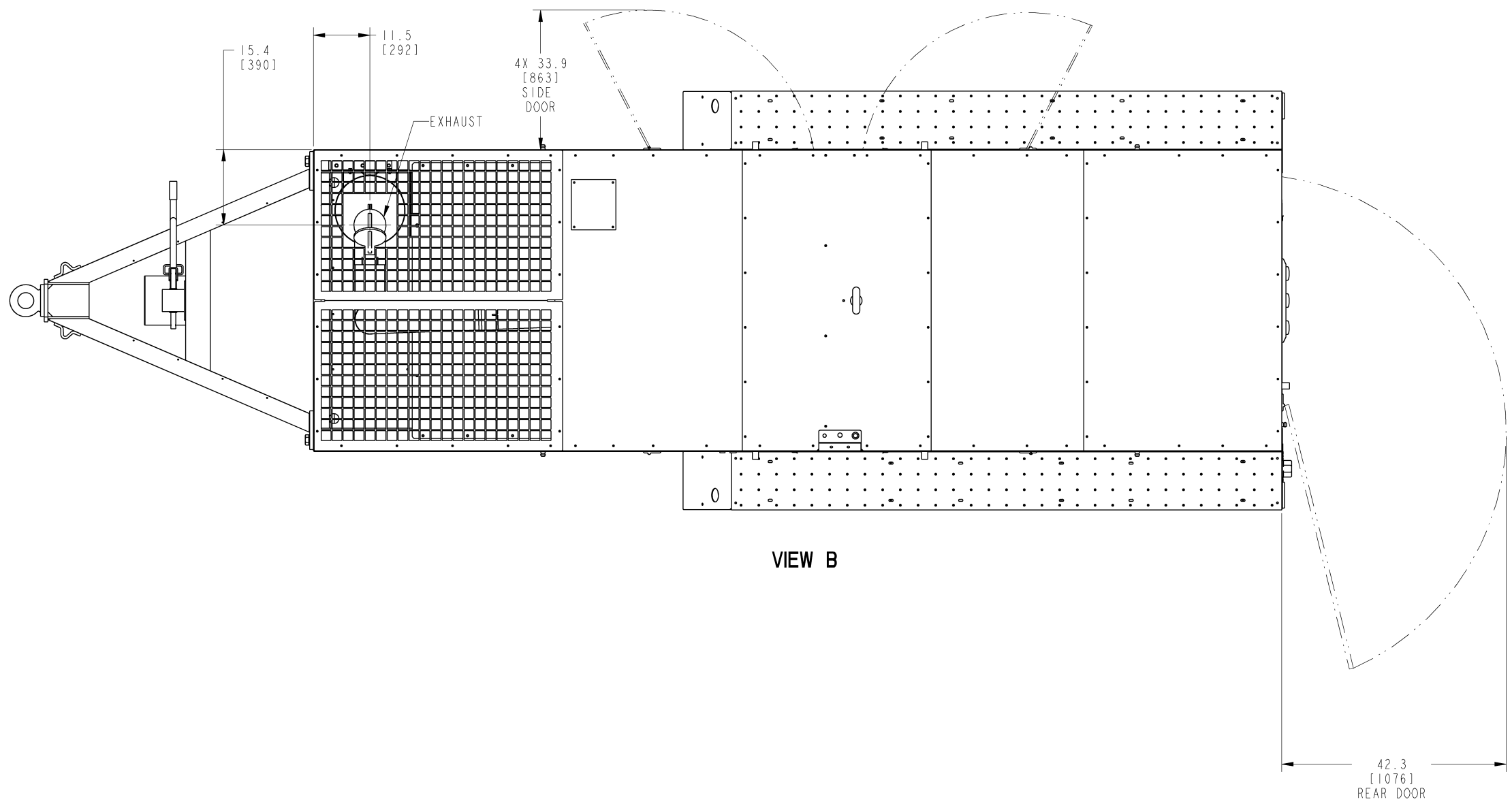
5
A5

TOLERANCES UNLESS OTHERWISE SPECIFIED, TOLERANCES ON DIMENSIONS ARE AS SPECIFIED ON DRAWING 38865731 UNLESS OTHERWISE SPECIFIED, ALL DIMENSIONS ARE IN MILLIMETERS.	WARNING: THE EXPORT OR REEXPORT OF THIS DRAWING OR A PRODUCT PRODUCED BY THIS DRAWING IS SUBJECT TO U.S. EXPORT ADMINISTRATION REGULATIONS AND OTHER APPLICABLE GOVERNMENT RESTRICTIONS OR REGULATIONS.	DO NOT SCALE DRAWING DRAWING CONFORMS TO ASME Y14.5M - 1994 CAD GENERATED DRAWING. NO MANUAL REVISIONS ALLOWED.	THIRD ANGLE PROJECTION DRAWN: A. SALUNKE CHECKED: S. DYSON APPROVED: S. DYSON	DATE: 2006AUG19 DATE: 2006AUG25 DATE: 2006AUG25	 GENERAL ARRANGEMENT G450-G570	ESTIMATED WEIGHT (KG UNLESS OTHERWISE SPECIFIED) 22966824	DWG NO. 22966824	REV A
	PROPRIETARY NOTICE THIS DRAWING CONTAINS CONFIDENTIAL AND TRADE SECRET INFORMATION. IS THE PROPERTY OF INGERSOLL-RAND CO., AND IS GIVEN TO THE RECEIVER IN CONFIDENCE. THE RECEIVER BY RECEPTION AND RETENTION OF THE DRAWING ACCEPTS THE DRAWING IN CONFIDENCE AND AGREES THAT, EXCEPT AS AUTHORIZED IN WRITING BY INGERSOLL-RAND CO. IT WILL (1) NOT USE THE DRAWING OR ANY COPY THEREOF OR THE CONFIDENTIAL OR TRADE SECRET INFORMATION THEREIN; (2) NOT COPY THE DRAWING; (3) NOT DISCLOSE TO OTHERS EITHER THE DRAWING OR THE CONFIDENTIAL OR TRADE SECRET INFORMATION THEREIN; AND (4) UPON COMPLETION OF THE NEED TO RETAIN THE DRAWING, OR UPON DEMAND, RETURN THE DRAWING, ALL COPIES THEREOF, AND ALL MATERIAL COPIED THEREFROM.	UNLESS OTHERWISE SPECIFIED: - REMOVE ALL BURRS AND SHARP CORNERS - WELD SYMBOLS TO BE IN ACCORDANCE WITH ANSI/AWS A2.4 COPYRIGHT © 2006 INGERSOLL-RAND COMPANY ALL RIGHTS RESERVED	SIZE: A1 SCALE: 0.05 UNIT: NOVA G450-G570	SHEET 1 OF 6				

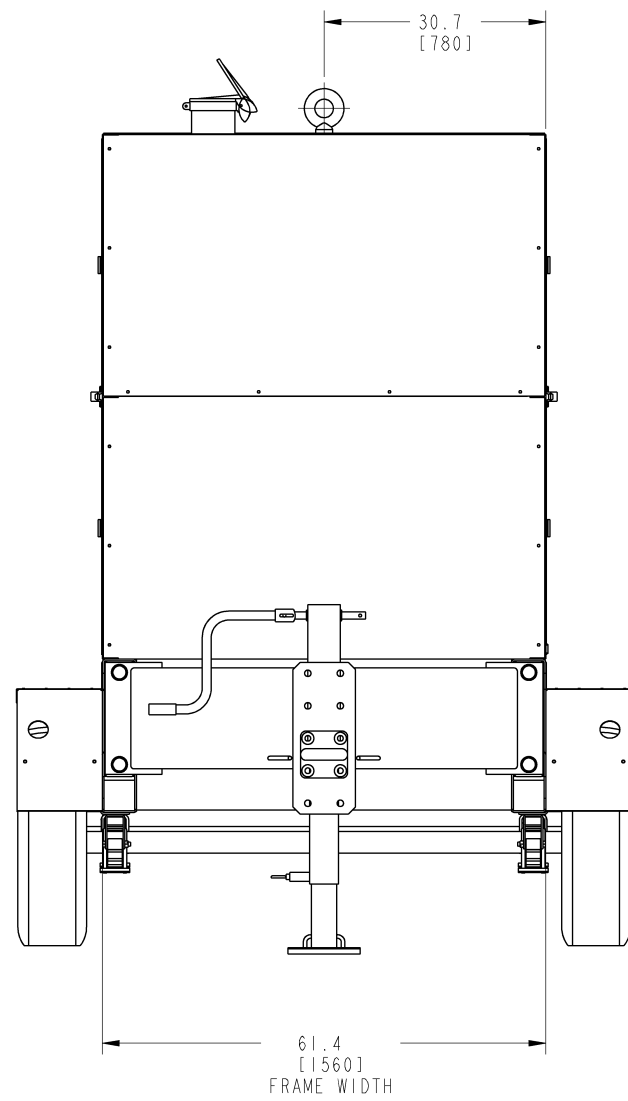


VIEW A

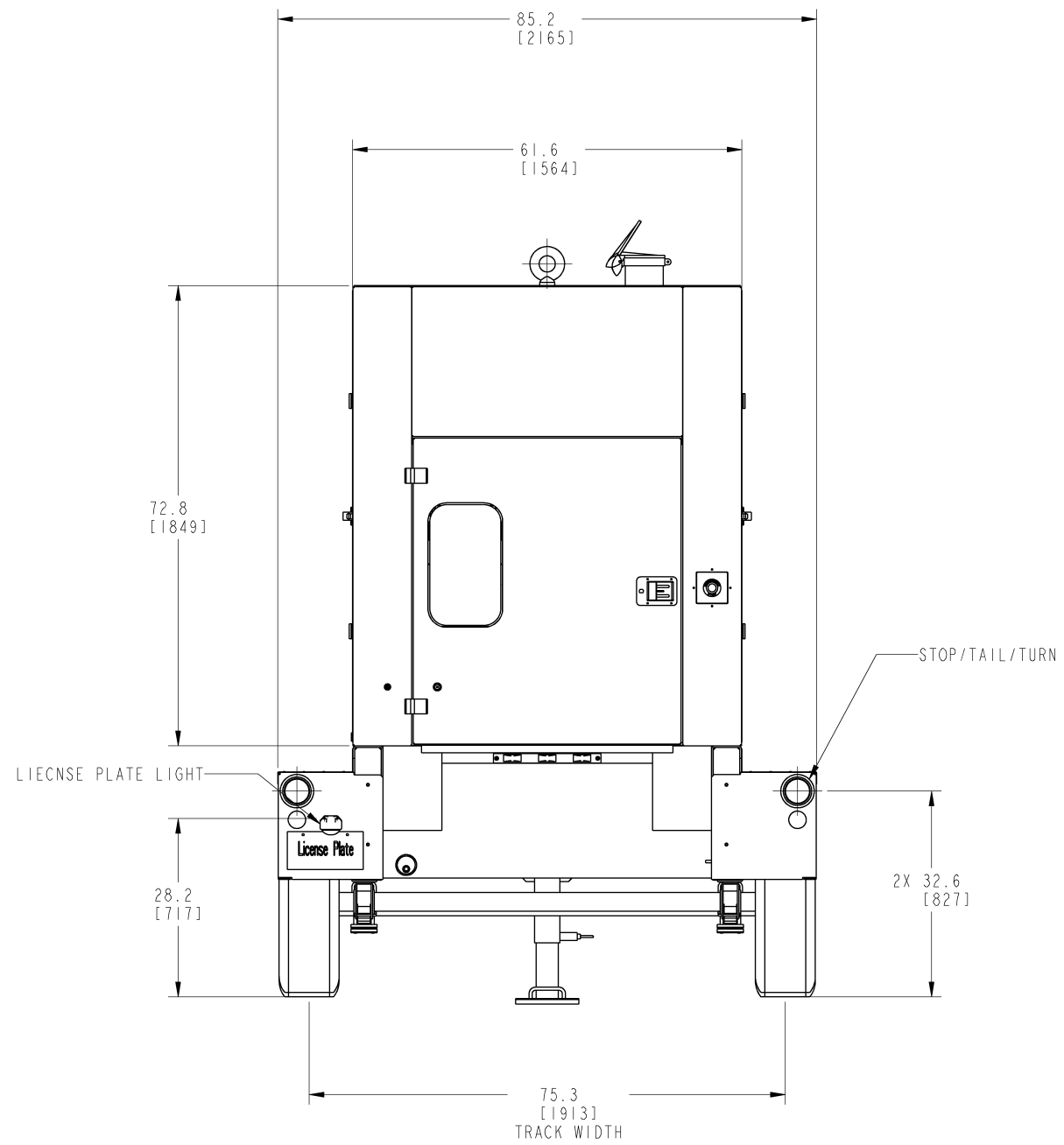
<small>PROPRIETARY NOTICE</small> <small>THIS DRAWING CONTAINS CONFIDENTIAL AND TRADE SECRET INFORMATION. IT IS THE PROPERTY OF INGERSOLL-RAND CO., AND IS LOANED TO THE RECEIVER IN CONFIDENCE. THE RECEIVER BY RECEIPT AND RETENTION OF THE DRAWING ACCEPTS THE DRAWING IN CONFIDENCE AND AGREES THAT, EXCEPT AS AUTHORIZED IN WRITING BY INGERSOLL-RAND CO., IT WILL (1) NOT USE, REPRODUCE, OR COPY, DIRECTLY OR INDIRECTLY, THE INFORMATION CONTAINED HEREIN; (2) NOT DISCLOSE TO OTHERS EITHER THE DRAWING OR THE CONFIDENTIAL OR TRADE SECRET INFORMATION THEREIN; AND (3) UPON COMPLETION OF THE NEED TO RETAIN THE DRAWING, OR UPON DEMAND, RETURN THE DRAWING, ALL COPIES THEREOF, AND ALL MATERIAL COPIED THEREFROM.</small>		<small>TITLE</small> GENERAL ARRANGEMENT G450-G570	
<small>SIZE</small> A1	<small>DWG NO.</small> 22966824	<small>REV</small> A	
<small>SCALE:</small> 0.08		<small>SHEET</small> 2 OF 6	




<small>PROPRIETARY NOTICE</small> <small>THIS DRAWING CONTAINS CONFIDENTIAL AND TRADE SECRET INFORMATION. IT IS THE PROPERTY OF INGERSOLL-RAND CO. AND IS LOANED TO THE RECEIVER IN CONFIDENCE. THE RECEIVER BY ACCEPTANCE AND RETENTION OF THE DRAWING ACCEPTS THE DRAWING IN CONFIDENCE AND AGREES THAT, EXCEPT AS AUTHORIZED IN WRITING BY INGERSOLL-RAND CO., IT WILL (1) NOT USE, REPRODUCE OR COPY THEREOF OR THE CONFIDENTIAL OR TRADE SECRET INFORMATION THEREIN; (2) NOT COPY THE DRAWING; (3) NOT DISCLOSE TO OTHERS EITHER THE DRAWING OR THE CONFIDENTIAL OR TRADE SECRET INFORMATION THEREIN; AND (4) UPON COMPLETION OF THE NEED TO RETAIN THE DRAWING, OR UPON DEMAND, RETURN THE DRAWING, ALL COPIES THEREOF, AND ALL MATERIAL COPIED THEREFROM.</small>		<small>TITLE</small> GENERAL ARRANGEMENT G450-G570		
<small>SIZE</small> A1	<small>DWG NO.</small> 22966824	<small>REV</small> A	<small>3 OF 6</small>	
<small>SCALE:</small> 0.08		<small>SHEET</small>		

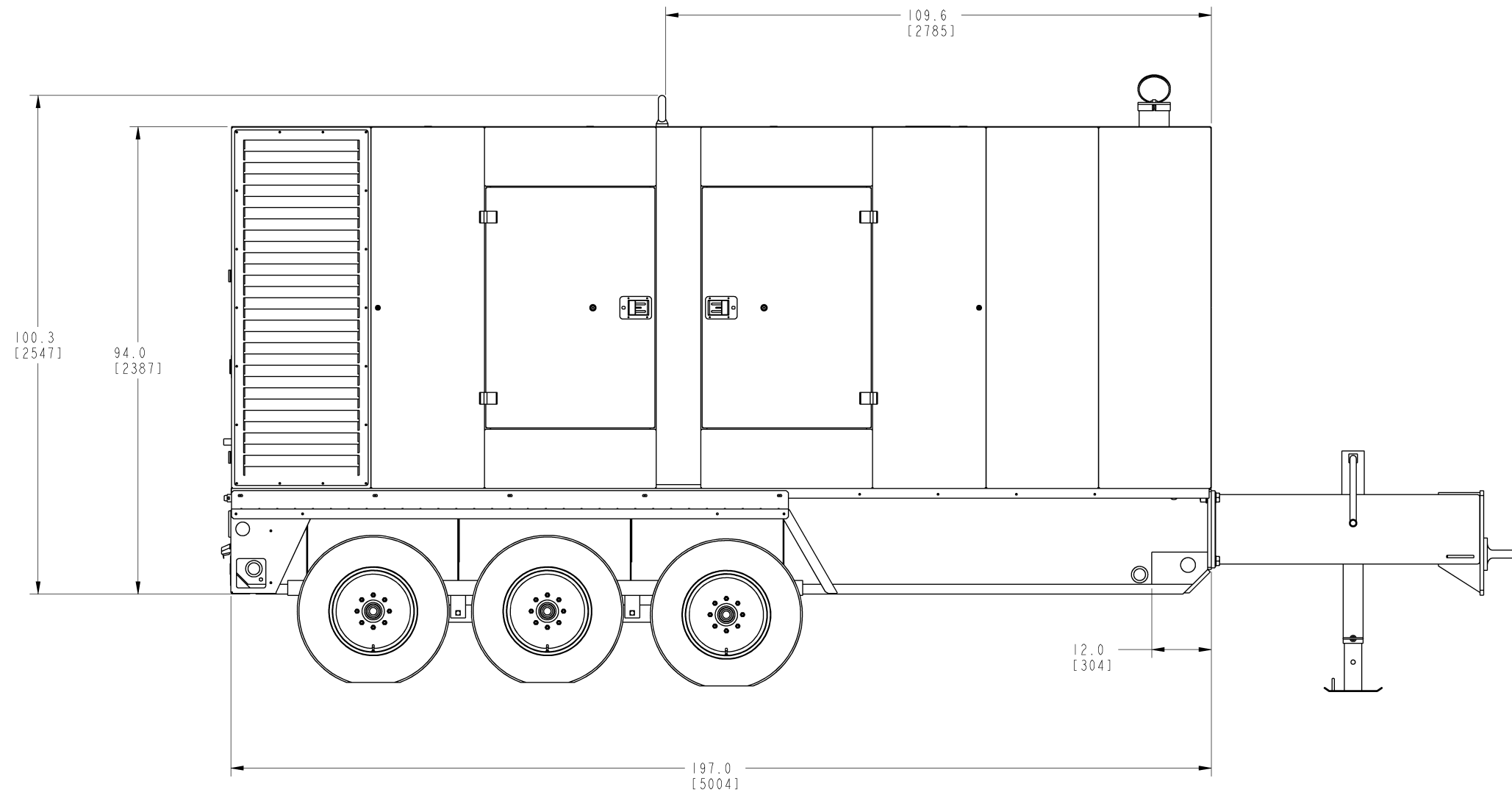


VIEW C




VIEW D

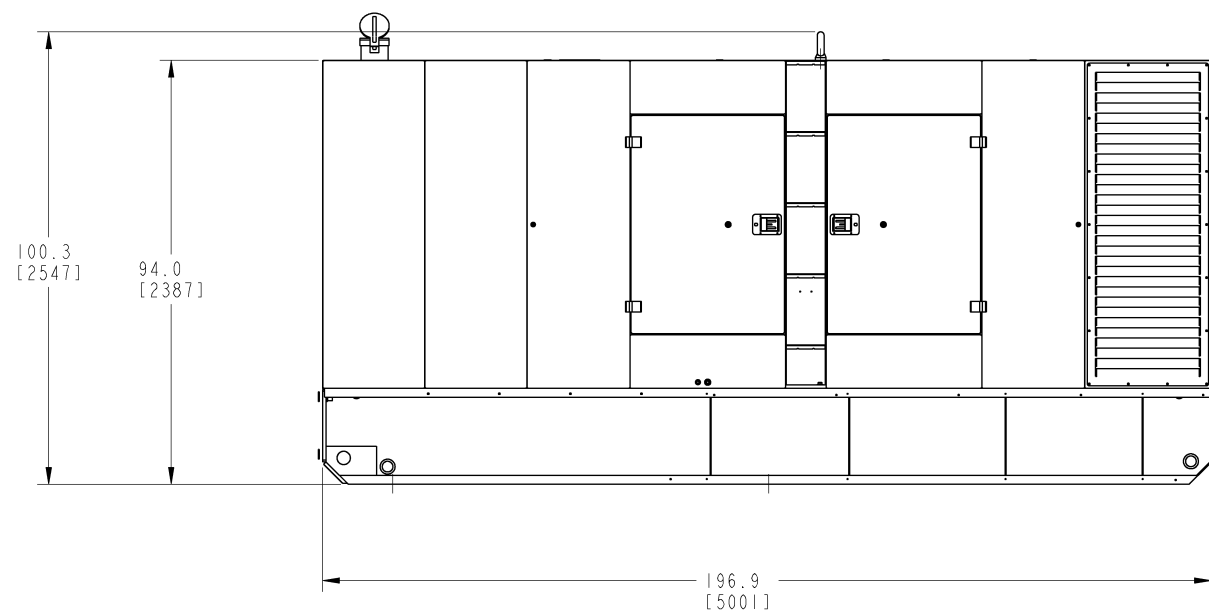
<small>PROPRIETARY NOTICE</small> <small>THIS DRAWING CONTAINS CONFIDENTIAL AND TRADE SECRET INFORMATION. IT IS THE PROPERTY OF INGERSOLL-RAND CO., AND IS LOANED TO THE RECEIVER IN CONFIDENCE. THE RECEIVER BY ACCEPTANCE AND RETENTION OF THE DRAWING ACCEPTS THE DRAWING IN CONFIDENCE AND AGREES, EXCEPT AS AUTHORIZED IN WRITING BY INGERSOLL-RAND CO., IT WILL (1) NOT USE, REPRODUCE OR COPY, DIRECTLY OR INDIRECTLY, THE DRAWING OR TRADE SECRET INFORMATION THEREIN; (2) NOT DISCLOSE TO OTHERS EITHER THE DRAWING OR THE CONFIDENTIAL OR TRADE SECRET INFORMATION THEREIN; AND (3) UPON COMPLETION OF THE NEED TO RETAIN THE DRAWING, OR UPON DEMAND, RETURN THE DRAWING, ALL COPIES THEREOF, AND ALL MATERIAL COPIED THEREFROM.</small>		<small>TITLE</small> GENERAL ARRANGEMENT G450-G570		
<small>SIZE</small> A1	<small>DWG NO.</small> 22966824	<small>REV</small> A	<small>SHEET</small> 4 OF 6	
<small>SCALE:</small> 0.08				



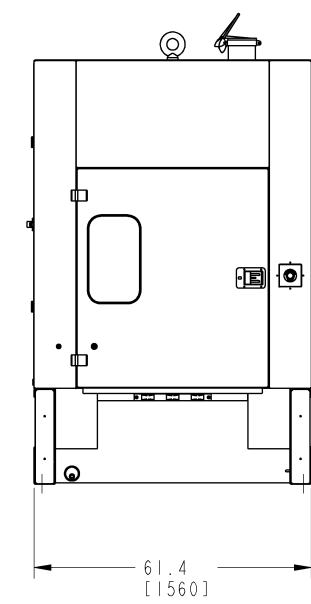
VIEW E-E

1
A8

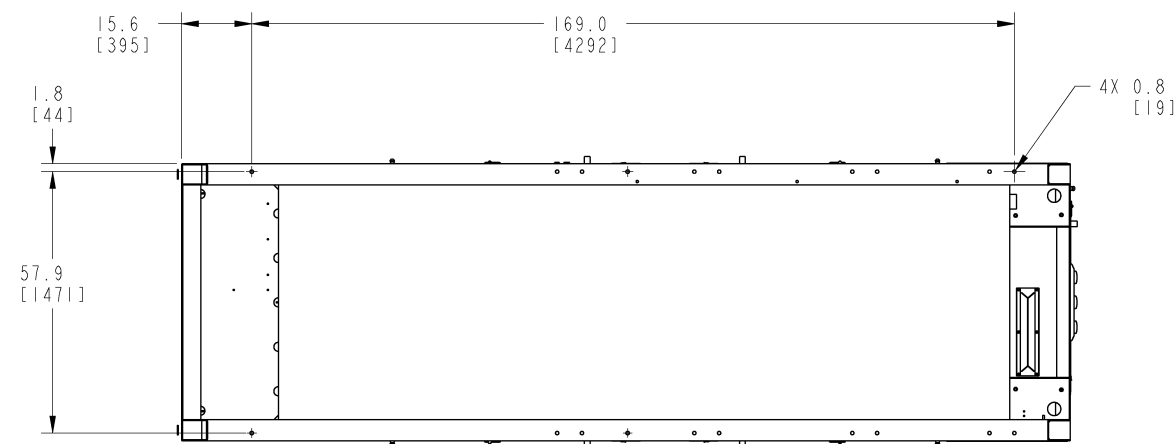
<small>PROPRIETARY NOTICE</small> <small>THIS DRAWING CONTAINS CONFIDENTIAL AND TRADE SECRET INFORMATION. IT IS THE PROPERTY OF INGERSOLL-RAND CO. AND IS LOANED TO THE RECEIVER IN CONFIDENCE. THE RECEIVER BY RECEIPT AND RETENTION OF THE DRAWING ACCEPTS THE DRAWING IN CONFIDENCE AND AGREES THAT, EXCEPT AS AUTHORIZED IN WRITING BY INGERSOLL-RAND CO., IT WILL (1) NOT USE, REPRODUCE, OR COPY THEREOF OR THE CONFIDENTIAL OR TRADE SECRET INFORMATION THEREIN; (2) NOT COPY THE DRAWING; (3) NOT DISCLOSE TO OTHERS EITHER THE DRAWING OR THE CONFIDENTIAL OR TRADE SECRET INFORMATION THEREIN; AND (4) UPON COMPLETION OF THE NEED TO RETAIN THE DRAWING, OR UPON DEMAND, RETURN THE DRAWING, ALL COPIES THEREOF, AND ALL MATERIAL COPIED THEREFROM.</small>		<small>TITLE</small> GENERAL ARRANGEMENT G450-G570			
<small>SIZE</small> A1	<small>DWG NO.</small> 22966824	<small>REV</small> A			
<small>SCALE:</small> 0.08		<small>SHEET</small> 5 OF 6			



LESS RUNNING GEAR OPTION
(LEFT VIEW)




LESS RUNNING GEAR OPTION
(CONTROLS VIEW)



LESS RUNNING GEAR OPTION
(BOTTOM VIEW)

PROPRIETARY NOTICE
THIS DRAWING CONTAINS CONFIDENTIAL AND TRADE SECRET INFORMATION. IT IS THE PROPERTY OF INGERSOLL-RAND CO., AND IS LOANED TO THE RECEIVER IN CONFIDENCE. THE RECEIVER BY ACCEPTANCE AND RETENTION OF THE DRAWING ACCEPTS THE DRAWING IN CONFIDENCE AND AGREES THAT, EXCEPT AS AUTHORIZED IN WRITING BY INGERSOLL-RAND CO., IT WILL (1) NOT USE THE DRAWING OR ANY COPY THEREOF OR THE CONFIDENTIAL OR TRADE SECRET INFORMATION THEREIN; (2) NOT COPY THE DRAWING; (3) NOT DISCLOSE TO OTHERS EITHER THE DRAWING OR THE CONFIDENTIAL OR TRADE SECRET INFORMATION THEREIN; AND (4) UPON COMPLETION OF THE NEED TO RETAIN THE DRAWING, OR UPON DEMAND, RETURN THE DRAWING, ALL COPIES THEREOF, AND ALL MATERIAL COPIED THEREFROM.

TITLE		
GENERAL ARRANGEMENT G450-G570		
SIZE	DWG NO.	REV
A1	22966824	A
SCALE:	0.05	SHEET 6 OF 6