

Accuchiller EQ Portable Chiller



3-ton Air-Cooled Chiller

Standard Features

Direct-Drive Scroll Compressors

Direct drive hermetically sealed scroll compressors with proven performance in industrial cooling for reliable, low maintenance, and efficient operation.

Stainless Steel Evaporators

High-efficiency stainless steel plates with copper brazing provide maximum performance, long life, and an enhanced level of corrosion protection for harsh process conditions.

Stainless Steel Pump

Stainless steel pump selected for peak performance with the utmost in corrosion protection to ensure a long useful life under severe industrial conditions.

Nonferrous Reservoir and Water Lines

The insulated reservoir, fluid lines, pumps, and other components in the process fluid circuit will remain free of rust to provide maximum corrosion protection.

Evaporator Inlet Strainer

The evaporator inlet strainer removes any debris present in the process fluid to prevent costly downtime and repair due to a clogged chiller evaporator.

Compressor Protection Technology

Our compressor protection technology uses start-to-start anti-recycle control logic to limit cycling under low-load operating conditions to extend compressor life.

Temperature Deviation Warnings and Alarms

A warning alerts the operator of a potential problem before a fault occurs and if the condition gets worse, an alarm stops the chiller to prevent damage.

Deviation Alarm Time Delays

Provides an adjustable alarm time delay to deactivate the alarms long enough for the process loop to stabilize before the alarms are active.



Standard Controller

Available Options

- Larger pumps
- Alarm horn
- Automatic make-up
- Rotary non-fused disconnect switch
- Branch circuit fusing
- C-UL508A industrial control panel
- Modbus TCP/IP communications
- High temperature set point (up to 80°F)
- Reservoir low level alarm
- Main power phase monitor and alarm
- Return fluid temperature display

Accuchiller EQ Portable Chiller

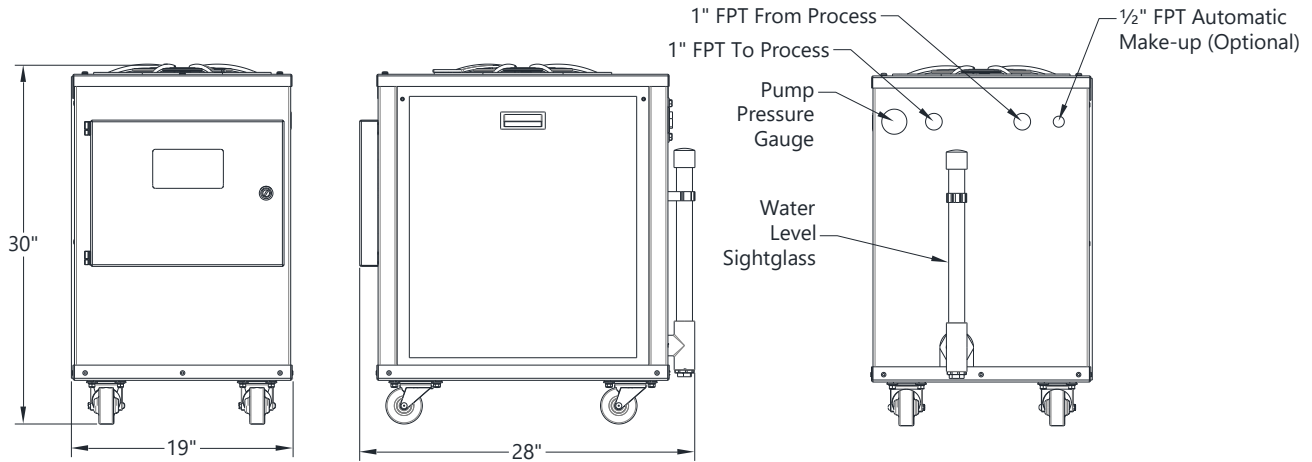
Air-Cooled Condenser Chiller

Model	Cooling Capacity (tons) ¹	Set Point Range (°F)	Compressor (qty)	Pump Size (hp)	Pump Flow (gpm)	Pump Pressure (psi)	MCA @ 230/1/60 (amps) ²	MOP @ 230/1/60 (amps) ³	Reservoir Capacity (gal)	Shipping Weight (lbs)	Operating Weight (lbs)
EQ3A01	1	20 to 65	1	¼	2	80	11	20	3	255	280

¹Cooling tons based on 12,000 BTU/Hr/ton with 50°F leaving coolant and 95°F ambient air, R407c refrigerant.

²MCA is Minimum Circuit Amps with standard condenser fan and pump under full load, used for minimum wire size requirement.

³MOP is Maximum Overcurrent Protection with standard condenser fans and pump, used for sizing main power protection device.



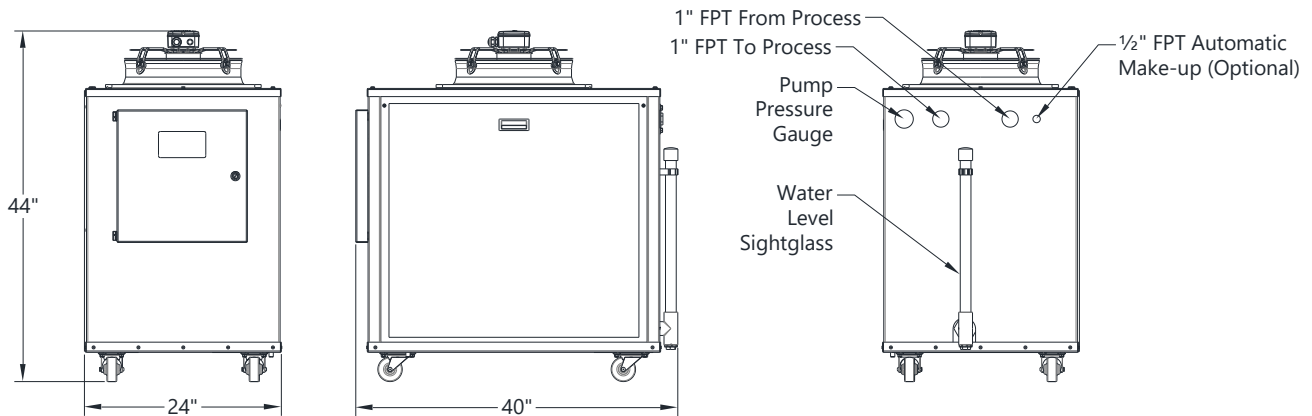
Air-Cooled Condenser Chillers

Model	Cooling Capacity (tons) ¹	Set Point Range (°F)	Compressor (qty)	Pump Size (hp)	Pump Flow (gpm)	Pump Pressure (psi)	MCA @ 460/3/60 (amps) ²	MOP @ 460/3/60 (amps) ³	Reservoir Capacity (gal)	Shipping Weight (lbs)	Operating Weight (lbs)
EQ2A02	2	20 to 65	1	1	5	39	8	15	11	420	510
EQ2A03	3	20 to 65	1	1	7	38	11	20	11	430	520

¹Cooling tons based on using R-407c refrigerant with 12,000 BTU/Hr/ton with 50°F leaving coolant and 95°F ambient air.

²MCA is Minimum Circuit Amps with standard condenser fan and pump under full load, used for minimum wire size requirement.

³MOP is Maximum Overcurrent Protection with standard condenser fans and pump, used for sizing main power protection device.



Accuchiller EQ Portable Chiller

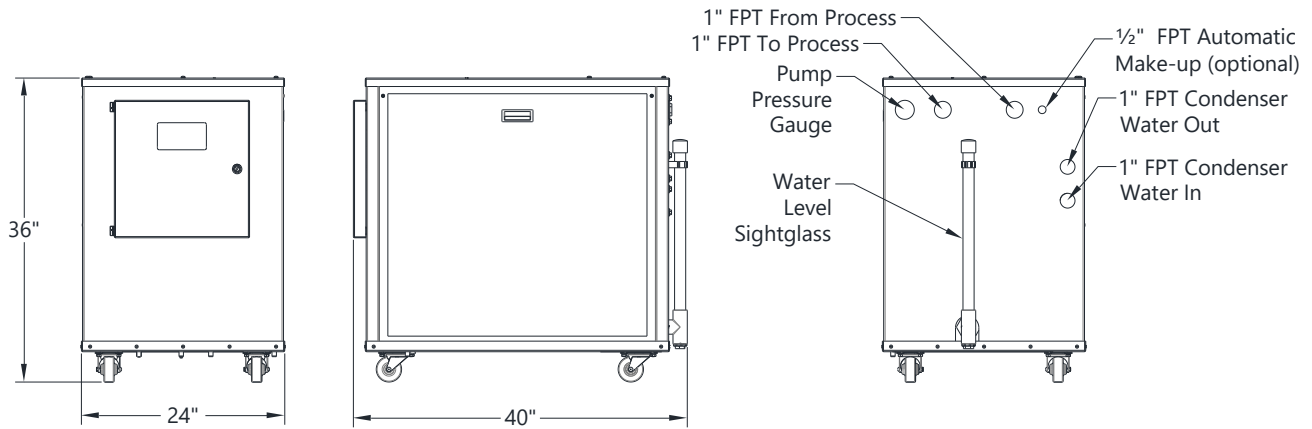
Water-Cooled Condenser Chillers

Model	Cooling Capacity (tons) ¹	Set Point Range (°F)	Compressor (qty)	Pump Size (hp)	Pump Flow (gpm)	Pump Pressure (psi)	MCA @ 460/3/60 (amps) ²	MOP @ 460/3/60 (amps) ³	Reservoir Capacity (gal)	Shipping Weight (lbs)	Operating Weight (lbs)
EQ2W02	2	20 to 65	1	1	5	39	8	15	11	420	510
EQ2W03	3	20 to 65	1	1	8	38	11	20	11	430	520

¹Cooling tons based on using R-407c refrigerant with 12,000 BTU/Hr/ton with 50°F leaving coolant and 85°F condenser water.

²MCA is Minimum Circuit Amps with standard condenser fan and pump under full load, used for minimum wire size requirement.

³MOP is Maximum Overcurrent Protection with standard condenser fans and pump, used for sizing main power protection device.



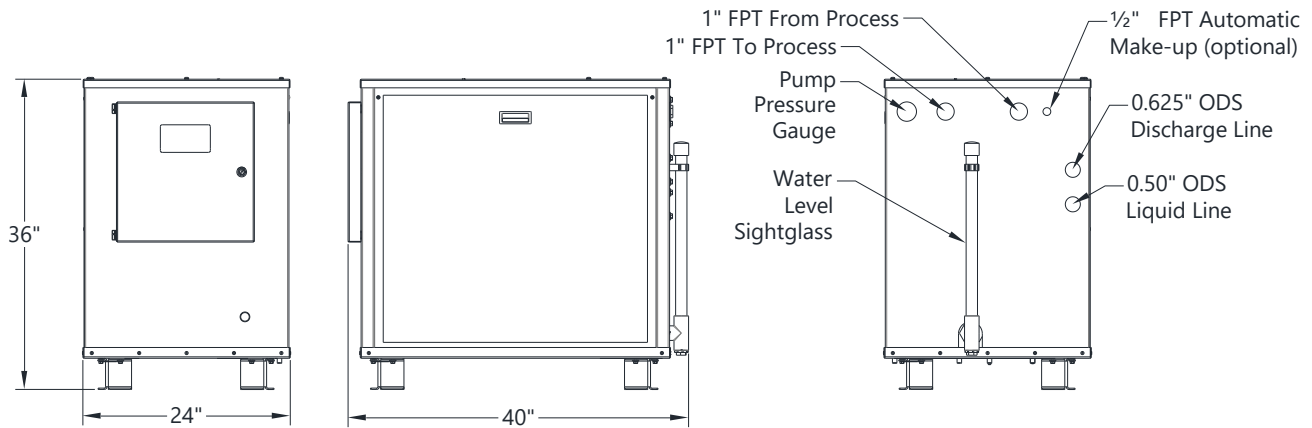
Remote Air-Cooled Condensers

Model	Cooling Capacity (tons) ¹	Set Point Range (°F)	Compressor (qty)	Pump Size (hp)	Pump Flow (gpm)	Pump Pressure (psi)	MCA @ 460/3/60 (amps) ²	MOP @ 460/3/60 (amps) ³	Reservoir Capacity (gal)	Shipping Weight (lbs)	Operating Weight (lbs)
EQ2R03	3	20 to 65	1	1	7	38	11	20	11	430	520

¹Cooling tons based on using R-407c refrigerant with 12,000 BTU/Hr/ton with 50°F leaving coolant and 95°F ambient air.

²MCA is Minimum Circuit Amps with standard condenser fan and pump under full load, used for minimum wire size requirement.

³MOP is Maximum Overcurrent Protection with standard condenser fans and pump, used for sizing main power protection devices.



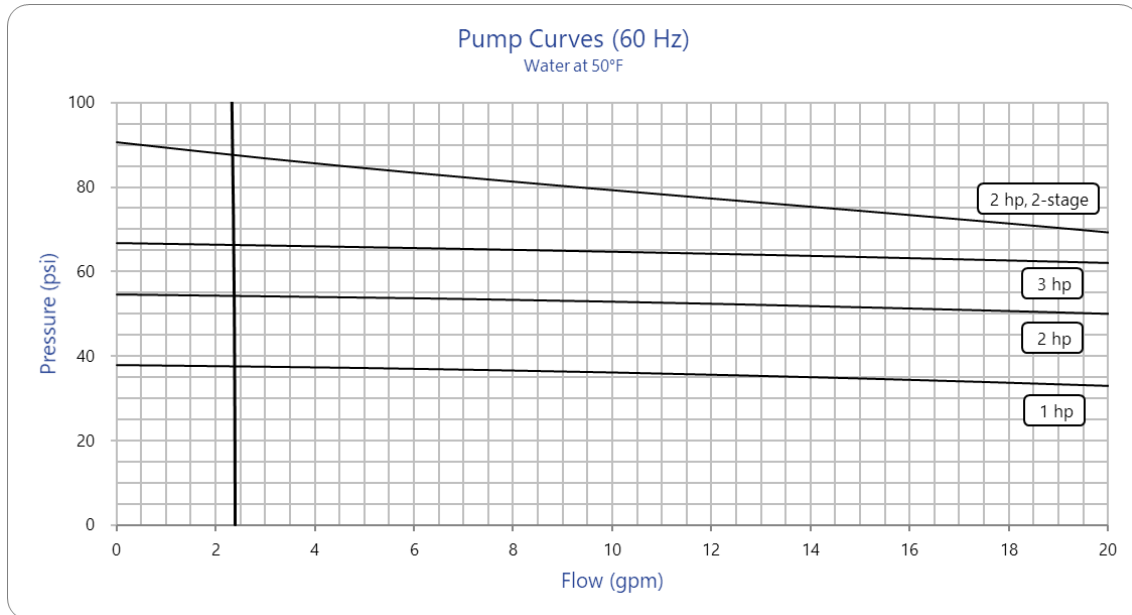
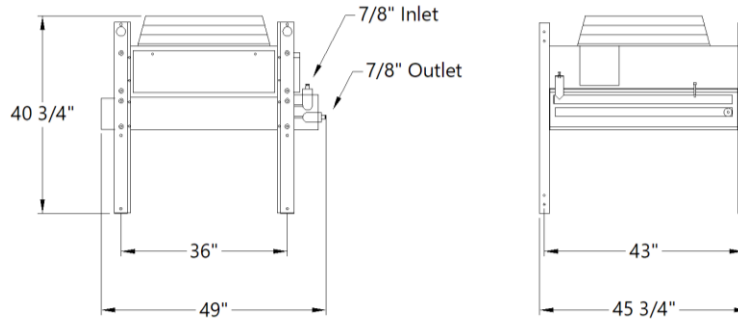
Accuchiller EQ Portable Chiller

Remote Air-Cooled Condenser

Model	Chiller used with	Condenser fan (qty)	MCA @ 230/1/60 (amps) ¹	MOP @ 230/1/60 (amps) ²	Shipping Weight (lbs)	Operating Weight (lbs)
LAVB11210	EQ2R03	1	3	15	565	Varies based on system charge and operating conditions

¹MCA is Minimum Circuit Amps, used for minimum wire size requirement.

²MOP is Maximum Overcurrent Protection, used for sizing main power protection devices.



Unit MCA @ 460/3/60 with Optional Pump Sizes

Pump	1 HP	2 HP	2 HP, 2-stage	3 HP
EQ3A01	---	---	---	---
EQ2A02	9	10	10	12
EQ2W02	8	9	9	11
EQ2A03	12	13	13	15
EQ2R03	11	12	12	14
EQ2W03	11	12	12	14



5680 W. Jarvis Ave • Niles, IL 60714
847-966-2260 • info@thermalcare.com
www.thermalcare.com

Thermal Care is ISO-9001 Certified
Manufacturer reserve the right to change specification
or design without notification or obligation

EQ Specification 02