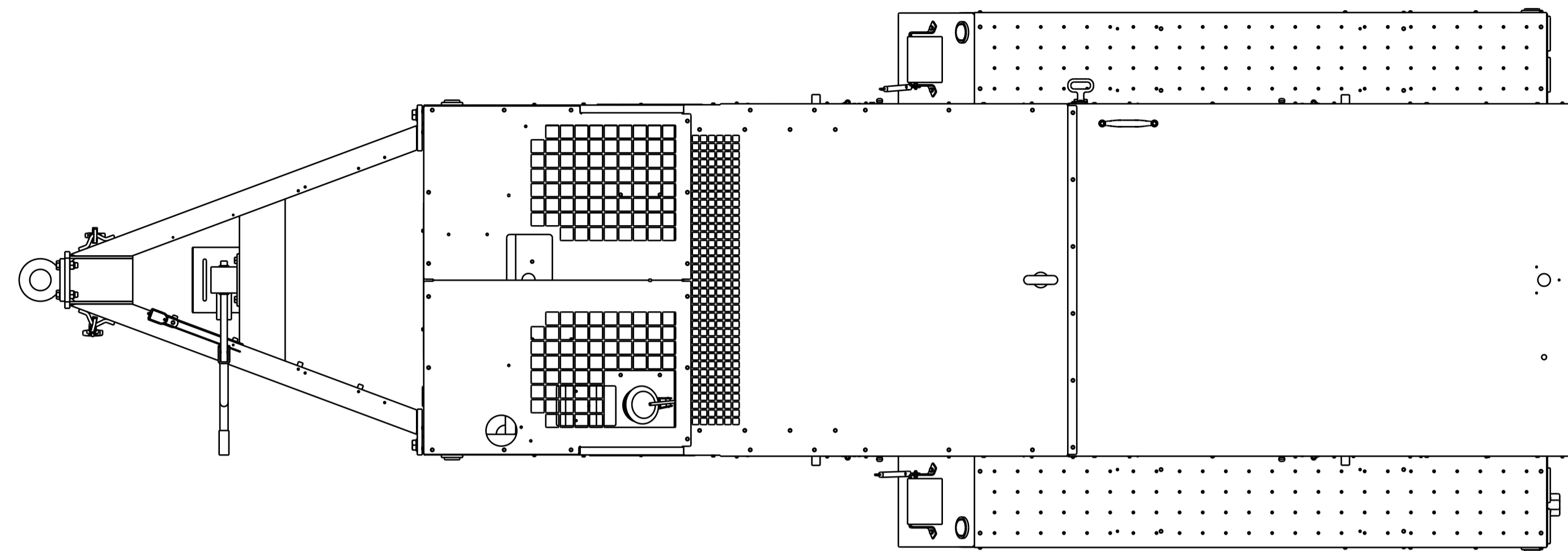


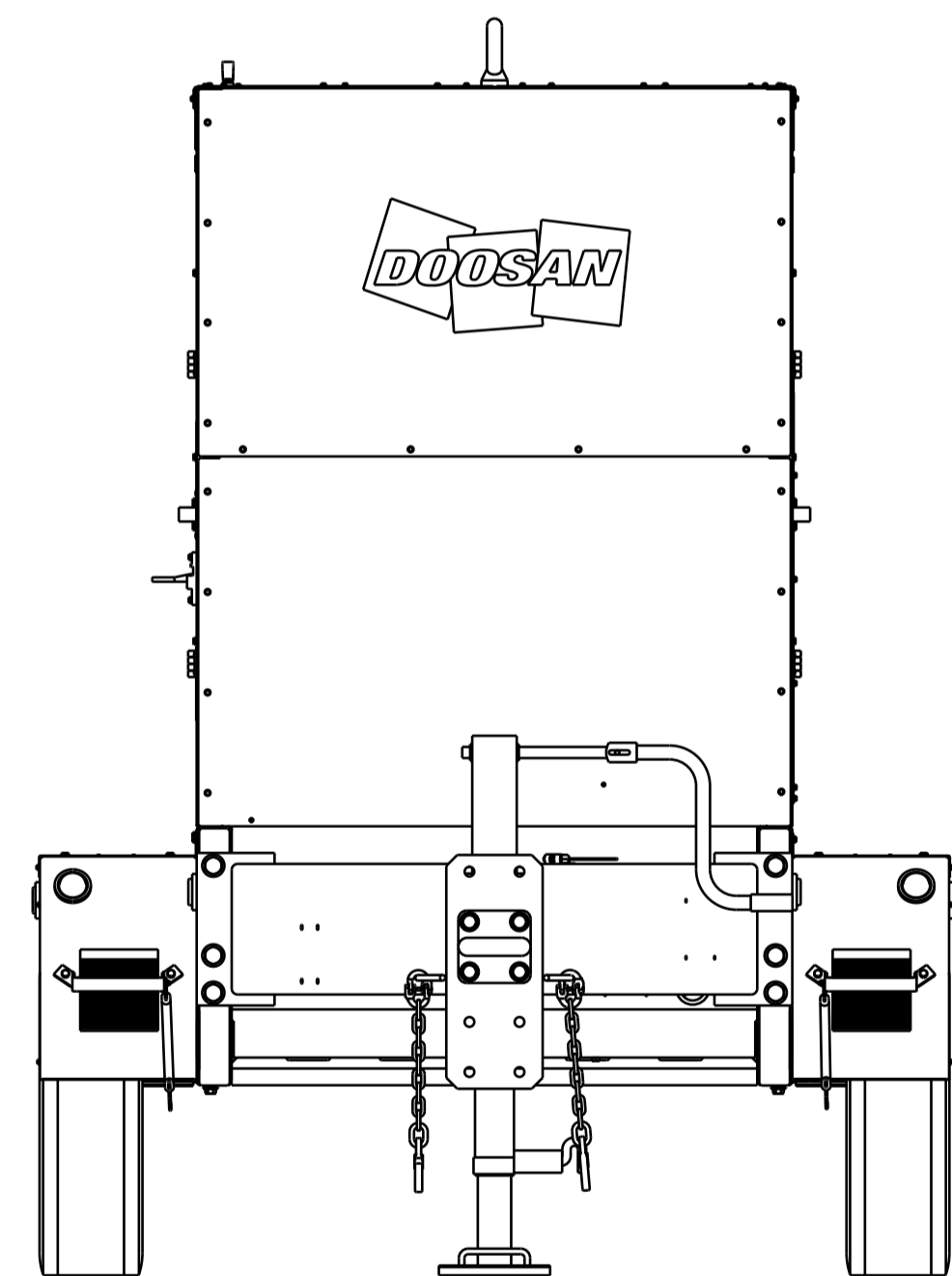
REVISIONS							
ZONE	REV	ECN	DESCRIPTION	DATE	DRAWN	CHECKED	APP'D
-	A	-	ORIGINAL RELEASE	2013JULY18	ACJ	KEF	DBM
-	B	-	UPDATED GRAPHICS, DIMENSIONS AND FORMAT	2016MAR08	TTR	MOB	JHW
-	C	-	ADDED DECALS UPDATED NOTE 2	2019MAR19	TTR	JAE	BNS

NOTES:

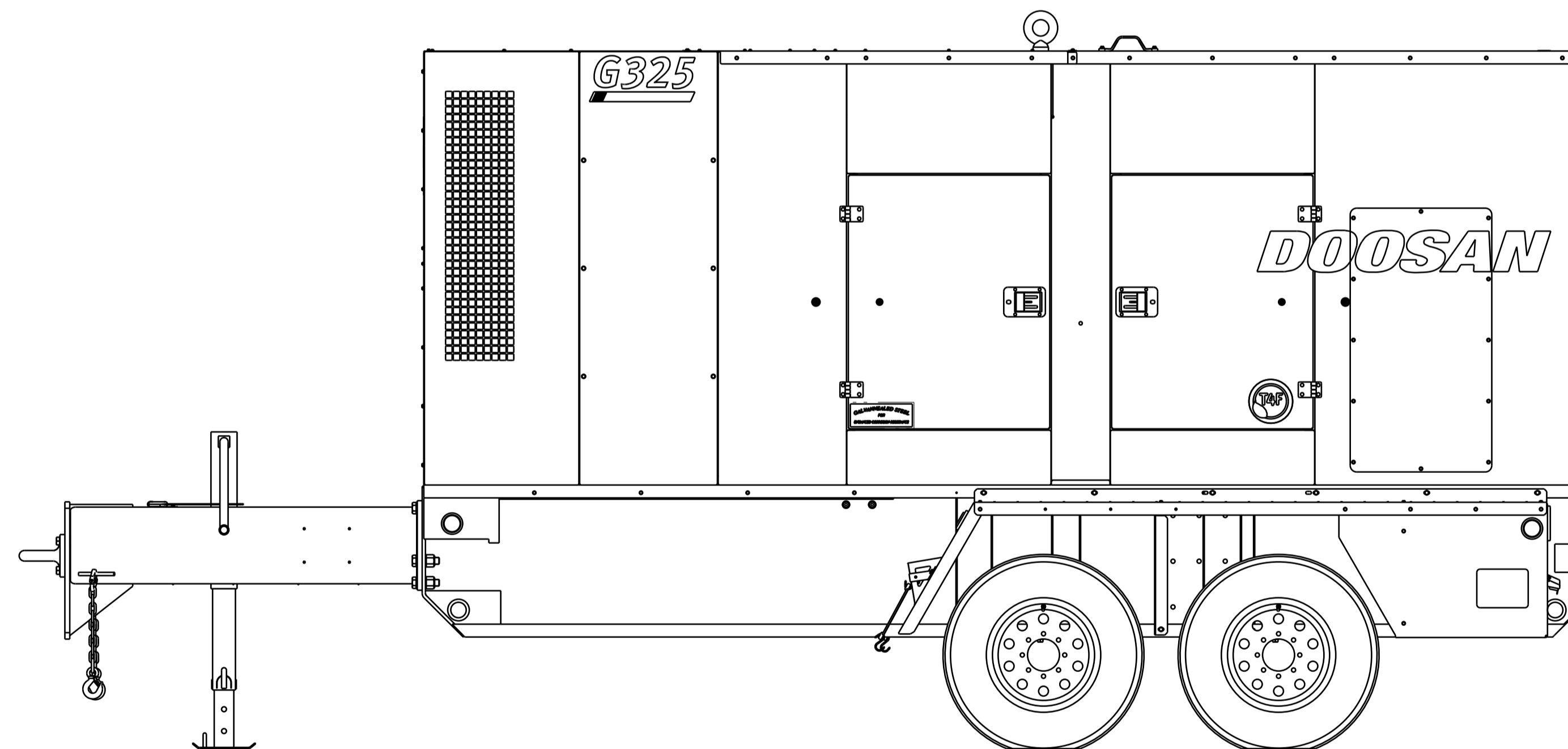
1. MINIMUM CLEARANCE OF 36 INCHES FROM OPPOSING SURFACES IS TO BE MAINTAINED ON ALL SIDES AND OVERHEAD DURING OPERATION.
2. DIMENSIONS ON DRAWING ARE DUAL WITH METRIC VALUE ON TOP AND INCH VALUE PLACED BELOW IN BRACKETS.



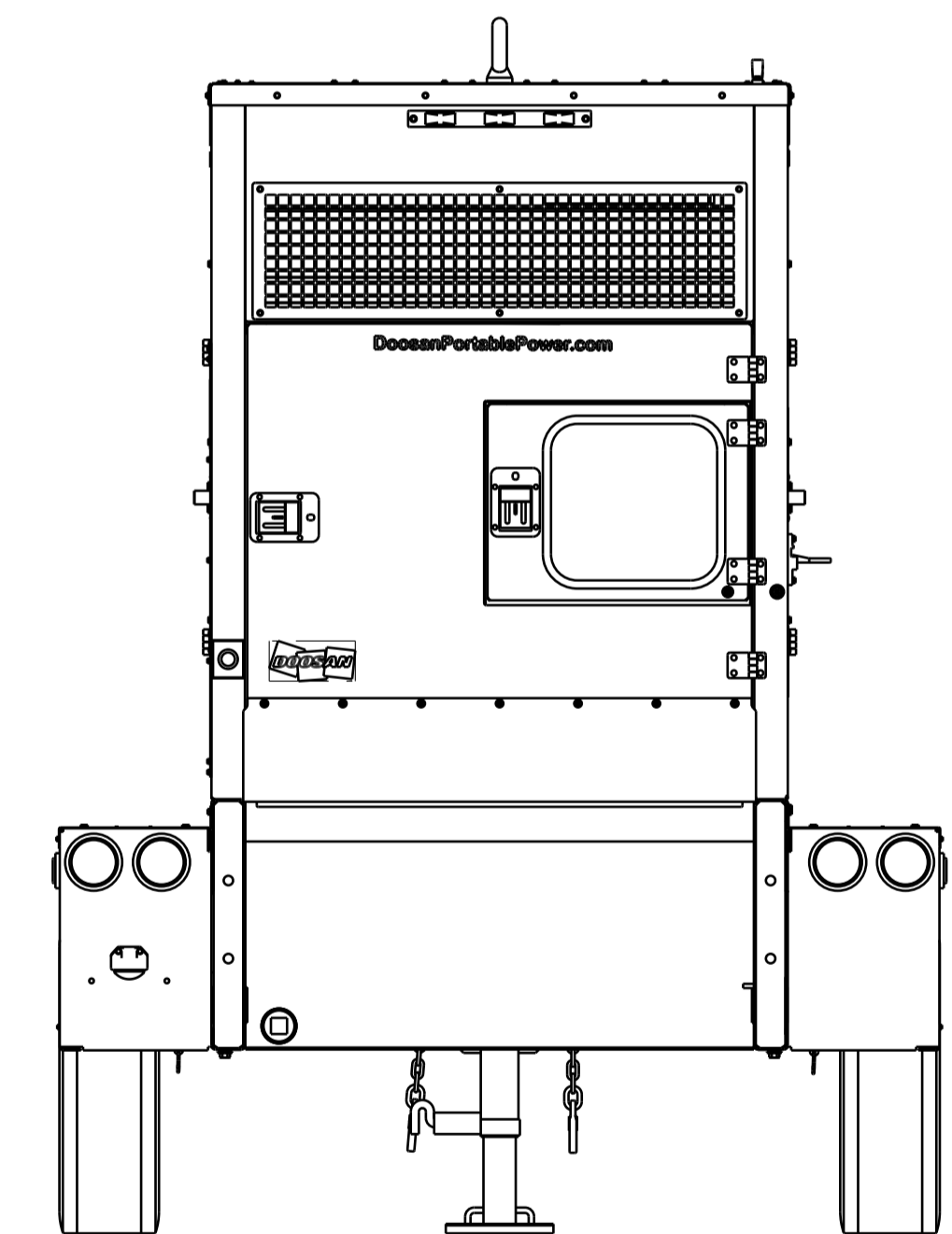
TOP VIEW



FRONT VIEW



LEFT SIDE VIEW



REAR VIEW

<p>TOLERANCES</p> <p>UNLESS OTHERWISE SPECIFIED, TOLERANCES ON DIMENSIONS ARE AS SPECIFIED ON DRAWING 36865731</p> <p>UNLESS OTHERWISE SPECIFIED, ALL DIMENSIONS ARE IN MILLIMETERS.</p> <p>Doosan Infracore Portable Power</p>		<p>PROPRIETARY NOTICE</p> <p>THIS DRAWING CONTAINS CONFIDENTIAL AND TRADE SECRET INFORMATION, IS THE PROPERTY OF DOOSAN INFRACORE AND IS GIVEN TO THE RECEIVER IN CONFIDENCE. THE RECEIVER BY RECEPTION AND RETENTION OF THE DRAWING ACCEPTS THE DRAWING IN CONFIDENCE AND AGREES THAT, EXCEPT AS AUTHORIZED IN WRITING BY DOOSAN INFRACORE IT WILL (1) NOT USE THE DRAWING COPY THEREOF OR THE CONFIDENTIAL OR TRADE SECRET OR ANY INFORMATION THEREIN; (2) NOT COPY THE DRAWING; (3) NOT DISCLOSE TO OTHERS EITHER THE DRAWING OR THE CONFIDENTIAL OR TRADE SECRET INFORMATION THEREIN; AND (4) UPON COMPLETION OF THE NEED TO RETAIN THE DRAWING, OR UPON DEMAND, RETURN THE DRAWING, ALL COPIES THEREOF, AND ALL MATERIAL COPIED THEREFROM.</p>		<p>WARNING: THE EXPORT OR REEXPORT OF THIS DRAWING OR A PRODUCT PRODUCED BY THIS DRAWING IS SUBJECT TO U.S. EXPORT ADMINISTRATION REGULATIONS AND OTHER APPLICABLE GOVERNMENT RESTRICTIONS OR REGULATIONS.</p> <p>COPYRIGHT © 2019 DOOSAN INFRACORE PORTABLE POWER ALL RIGHTS RESERVED</p> <p>DO NOT SCALE DRAWING</p>		<p>THIRD ANGLE PROJECTION</p> <p>WELD SYMBOLS PER ANSI/AWS A2.4 DRAWING CONFORMS TO ASME Y14.5 - 2009</p>		<p>DOOSAN Doosan Infracore Portable Power</p> <p>CAD GENERATED DRAWING, NO MANUAL REVISIONS ALLOWED</p> <p>UNLESS OTHERWISE SPECIFIED, REMOVE ALL BURRS AND SHARP CORNERS</p> <p>SIZE: A1 ESTIMATED WEIGHT: 46646400 DWG NO.: C</p> <p>SCALE: N/A UNIT: G325 T4F SHEET 1 OF 6</p>	
--	--	--	--	--	--	---	--	---	--

GENERAL ARRANGEMENT, G325

8 7 6 5 4 3 2 1

D

C

B

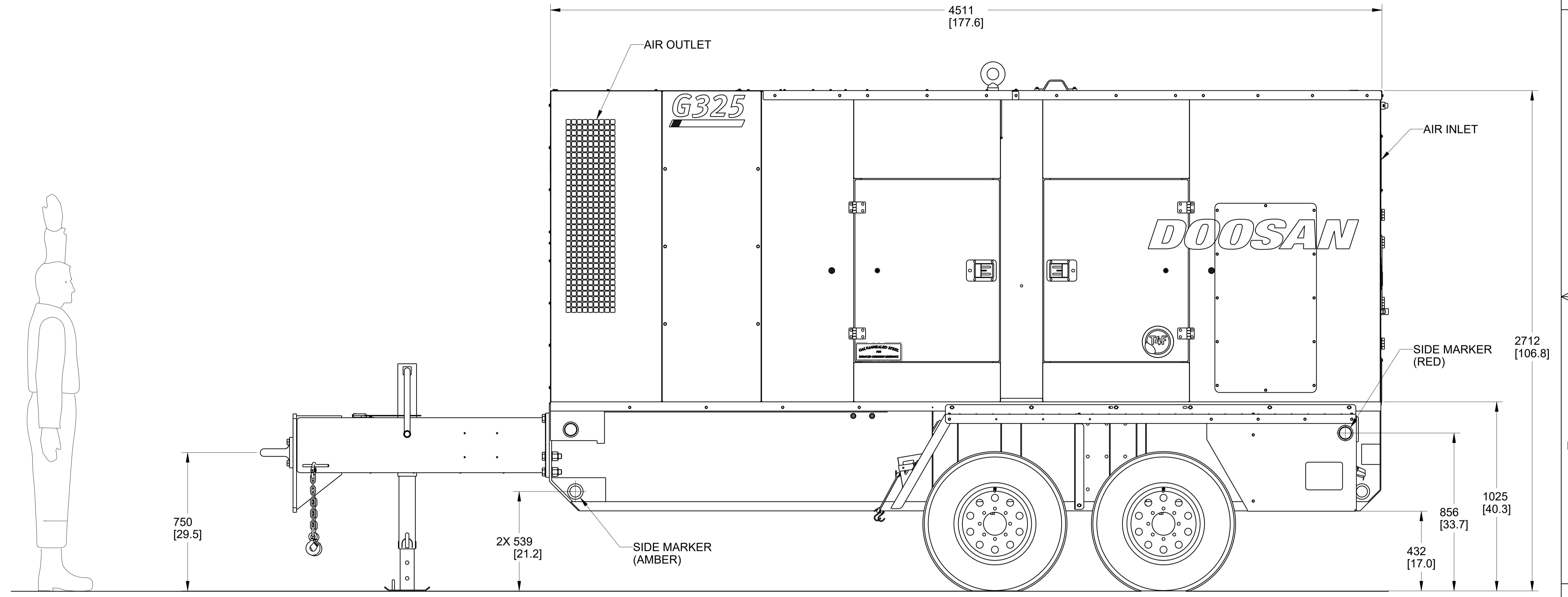
A

D

C

B

A



LEFT SIDE VIEW

8 7 6 5 4 3 2 1

UNLESS OTHERWISE SPECIFIED PRINTED DOCUMENT IS UNCONTROLLED

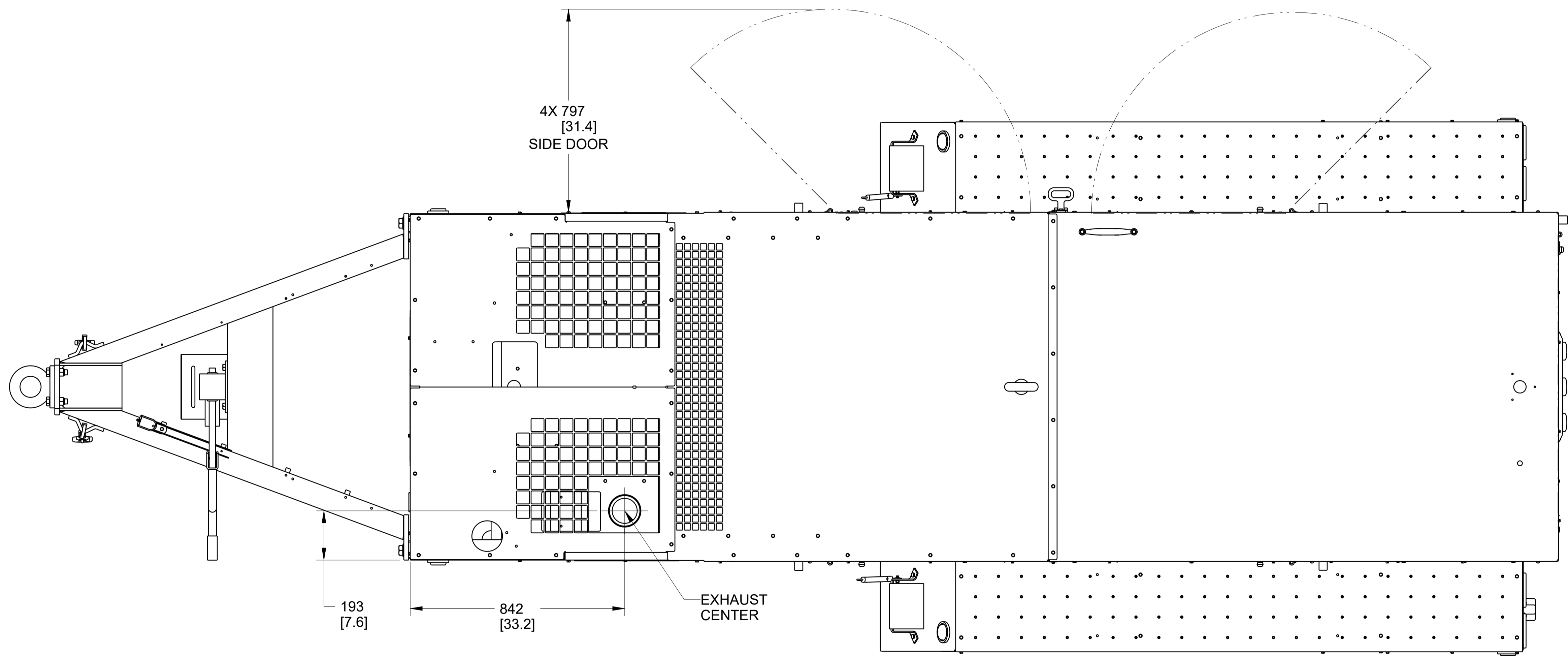
PROPRIETARY NOTICE: THIS DRAWING CONTAINS CONFIDENTIAL AND TRADE SECRET INFORMATION, IS THE PROPERTY OF DOOSAN INFRASTRUCTURE INTERNATIONAL, INC. AND IS GIVEN TO THE RECEIVER IN CONFIDENCE. THE RECEIVER BY RECEPTION AND RETENTION OF THE DRAWING ACCEPTS THE DRAWING IN CONFIDENCE AND AGREES THAT, EXCEPT AS AUTHORIZED IN WRITING BY DOOSAN INFRASTRUCTURE INTERNATIONAL, INC., IT WILL (1) NOT USE THE DRAWING OR ANY COPY THEREOF OR THE CONFIDENTIAL OR TRADE SECRET INFORMATION THEREIN; (2) NOT COPY THE DRAWING; (3) NOT DISCLOSE TO OTHERS EITHER THE DRAWING OR THE CONFIDENTIAL OR TRADE SECRET INFORMATION THEREIN; AND (4) UPON COMPLETION OF THE NEED TO RETAIN THE DRAWING, OR UPON DEMAND, RETURN THE DRAWING, ALL COPIES THEREOF, AND ALL MATERIAL COPIED THEREFROM.

DOOSAN	ESTIMATED WEIGHT (KG UNLESS OTHERWISE SPECIFIED)	SCALE	SIZE	DWG. NO.	REV.
	N/A	N/A	A1	46646400	C
TITLE	UNIT: G325 T4F		SHEET 2 OF 6		
GENERAL ARRANGEMENT, G325					

DOOSAN_FORMAT.FRM
REV: H

8 7 6 5 4 3 2 1

D
C
B
A



BACK VIEW

8 7 6 5 4 3 2 1

UNLESS OTHERWISE SPECIFIED PRINTED DOCUMENT IS UNCONTROLLED

DOOSAN

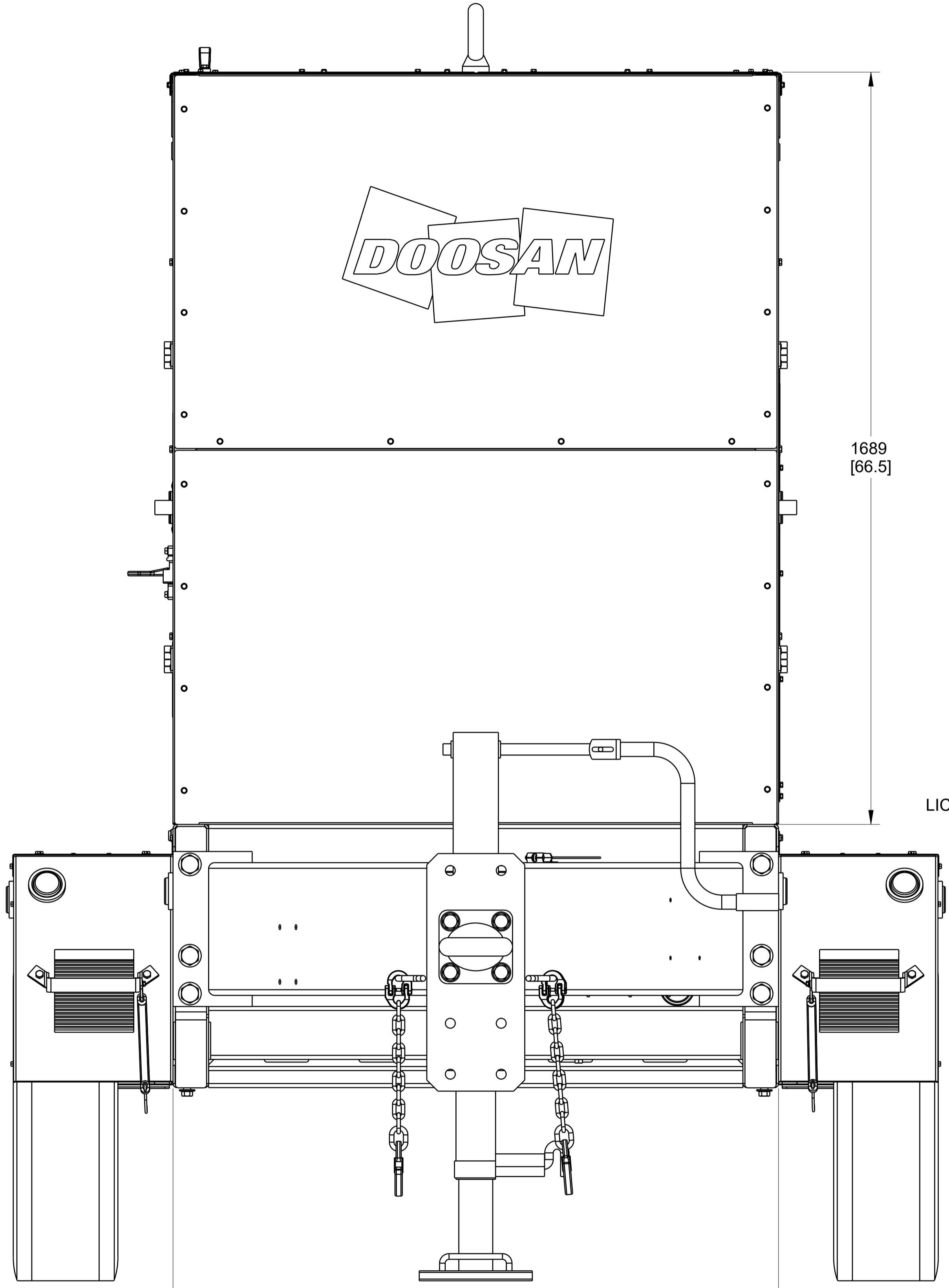
PROPRIETARY NOTICE: THIS DRAWING CONTAINS CONFIDENTIAL AND TRADE SECRET INFORMATION, IS THE PROPERTY OF DOOSAN INFRACORE INTERNATIONAL, INC. AND IS GIVEN TO THE RECEIVER IN CONFIDENCE. THE RECEIVER BY RECEPTION AND RETENTION OF THE DRAWING ACCEPTS THE DRAWING IN CONFIDENCE AND AGREES THAT, EXCEPT AS AUTHORIZED IN WRITING BY DOOSAN INFRACORE INTERNATIONAL, INC., IT WILL (1) NOT USE THE DRAWING OR ANY COPY THEREOF OR THE CONFIDENTIAL OR TRADE SECRET INFORMATION THEREIN; (2) NOT COPY, REPRODUCE, OR DISCLOSE TO OTHERS EITHER THE DRAWING OR THE CONFIDENTIAL OR TRADE SECRET INFORMATION THEREIN; AND (3) UPON COMPLETION OF THE NEED TO RETAIN THE DRAWING, OR UPON DEMAND, RETURN THE DRAWING, ALL COPIES THEREOF, AND ALL MATERIAL COPIED THEREFROM.

ESTIMATED WEIGHT (KG UNLESS OTHERWISE SPECIFIED)	SCALE: N/A	SIZE: A1	DWG NO.: 46646400	REV: C
			UNIT: G325 T4F	SHEET 3 OF 6
TITLE: GENERAL ARRANGEMENT, G325				

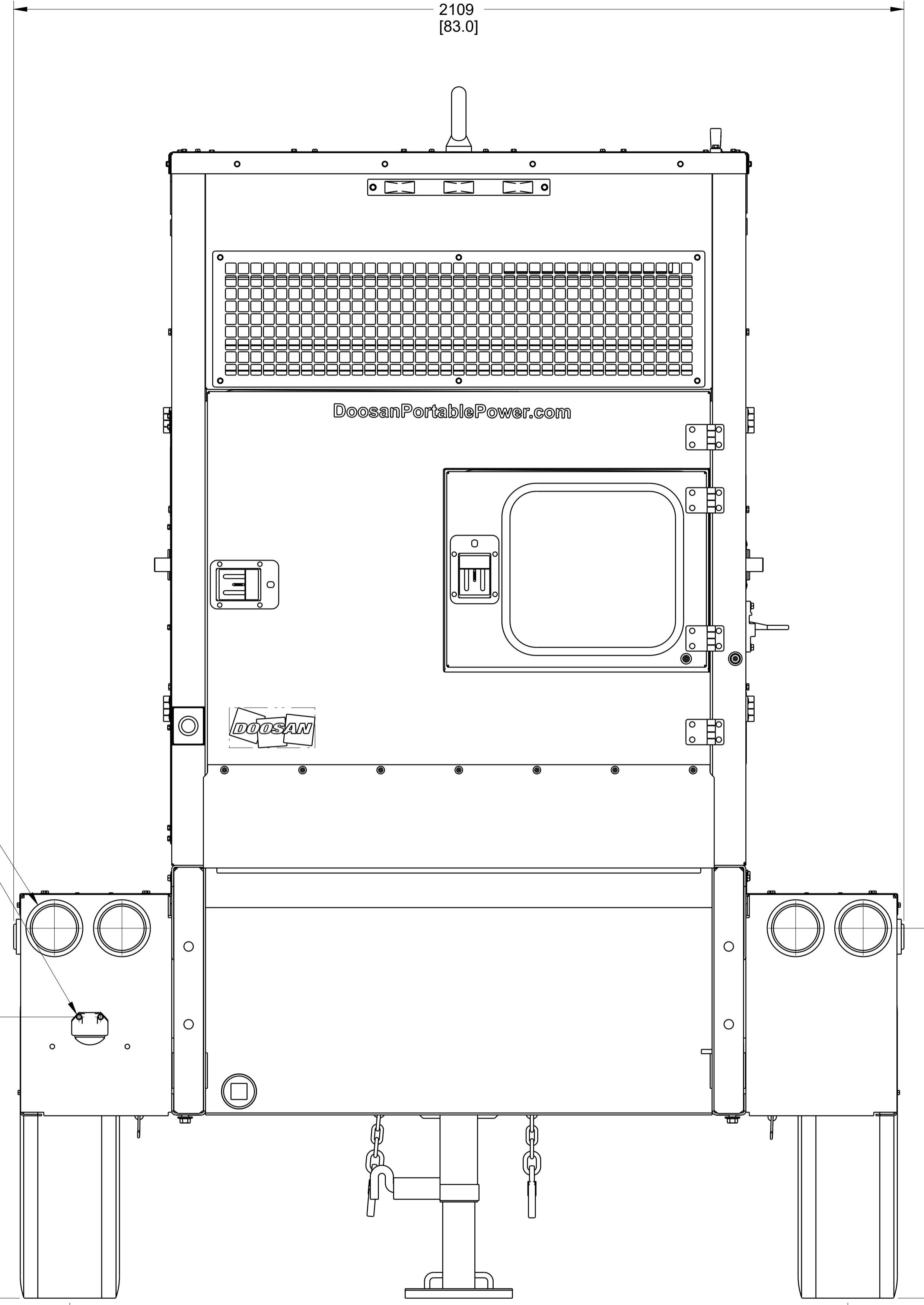
DOOSAN_FORMAT.FRM
REV: H

8 7 6 5 4 3 2 1

D
C
B
A



1360
[53.5]
FRAME WIDTH
FRONT VIEW



2109
[83.0]
1843
[72.6]
TRACK WIDTH
BACK VIEW

8 7 6 5 4 3 2 1

UNLESS OTHERWISE SPECIFIED PRINTED DOCUMENT IS UNCONTROLLED

PROPRIETARY NOTICE: THIS DRAWING CONTAINS CONFIDENTIAL AND TRADE SECRET INFORMATION, IS THE PROPERTY OF DOOSAN INFRACORE INTERNATIONAL, INC. AND IS GIVEN TO THE RECEIVER IN CONFIDENCE. THE RECEIVER BY RECEPTION AND RETENTION OF THE DRAWING ACCEPTS THE DRAWING IN CONFIDENCE AND AGREES THAT, EXCEPT AS AUTHORIZED IN WRITING BY DOOSAN INFRACORE INTERNATIONAL, INC., IT WILL (1) NOT USE THE DRAWING OR ANY COPY THEREOF OR THE CONFIDENTIAL OR TRADE SECRET INFORMATION THEREIN; (2) NOT COPY THE DRAWING; (3) NOT DISCLOSE TO OTHERS EITHER THE DRAWING OR THE CONFIDENTIAL OR TRADE SECRET INFORMATION THEREIN; AND (4) UPON COMPLETION OF THE NEED TO RETAIN THE DRAWING, OR UPON DEMAND, RETURN THE DRAWING, ALL COPIES THEREOF, AND ALL MATERIAL COPIED THEREFROM.

	ESTIMATED WEIGHT (KG UNLESS OTHERWISE SPECIFIED)	SCALE	SIZE	DWG NO.	REV
	N/A	N/A	A1	46646400	C
TITLE	UNIT: G325 T4F		SHEET 4 OF 6		
GENERAL ARRANGEMENT, G325					

DOOSAN_FORMAT.FRM
REV: H

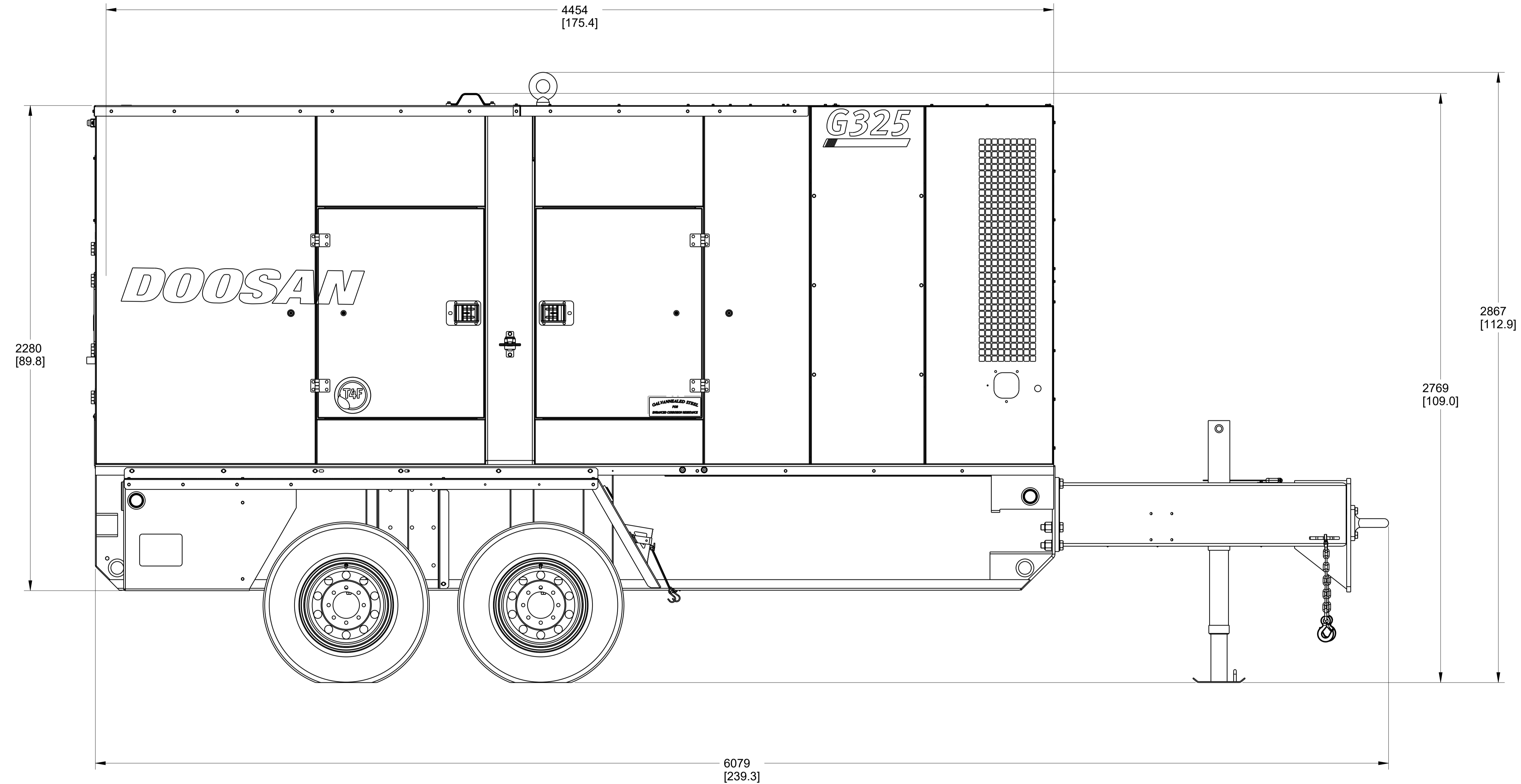
8 7 6 5 4 3 2 1

D

C

B

A



RIGHT SIDE VIEW

PROPRIETARY NOTICE: THIS DRAWING CONTAINS CONFIDENTIAL AND TRADE SECRET INFORMATION. IS THE PROPERTY OF DOOSAN INFRASTRUCTURE INTERNATIONAL, INC. AND IS GIVEN TO THE RECEIVER IN CONFIDENCE. THE RECEIVER BY RECEPTION AND RETENTION OF THE DRAWING ACCEPTS THE DRAWING IN CONFIDENCE AND AGREES THAT, EXCEPT AS AUTHORIZED IN WRITING BY DOOSAN INFRASTRUCTURE INTERNATIONAL, INC., IT WILL (1) NOT USE THE DRAWING OR ANY COPY THEREOF OR THE CONFIDENTIAL OR TRADE SECRET INFORMATION THEREIN; (2) NOT COPY THE DRAWING; (3) NOT DISCLOSE TO OTHERS EITHER THE DRAWING OR THE CONFIDENTIAL OR TRADE SECRET INFORMATION THEREIN; AND (4) UPON COMPLETION OF THE NEED TO RETAIN THE DRAWING, OR UPON DEMAND, RETURN THE DRAWING, ALL COPIES THEREOF, AND ALL MATERIAL COPIED THEREFROM.

DOOSAN	ESTIMATED WEIGHT (KG UNLESS OTHERWISE SPECIFIED)	SIZE	DWG NO.	REV
	SCALE: N/A	A1	46646400	C
TITLE	GENERAL ARRANGEMENT, G325		UNIT: G325 T4F	SHEET 5 OF 6

8 7 6 5 4 3 2 1

DOOSAN_FORMAT.FRM
REV: H

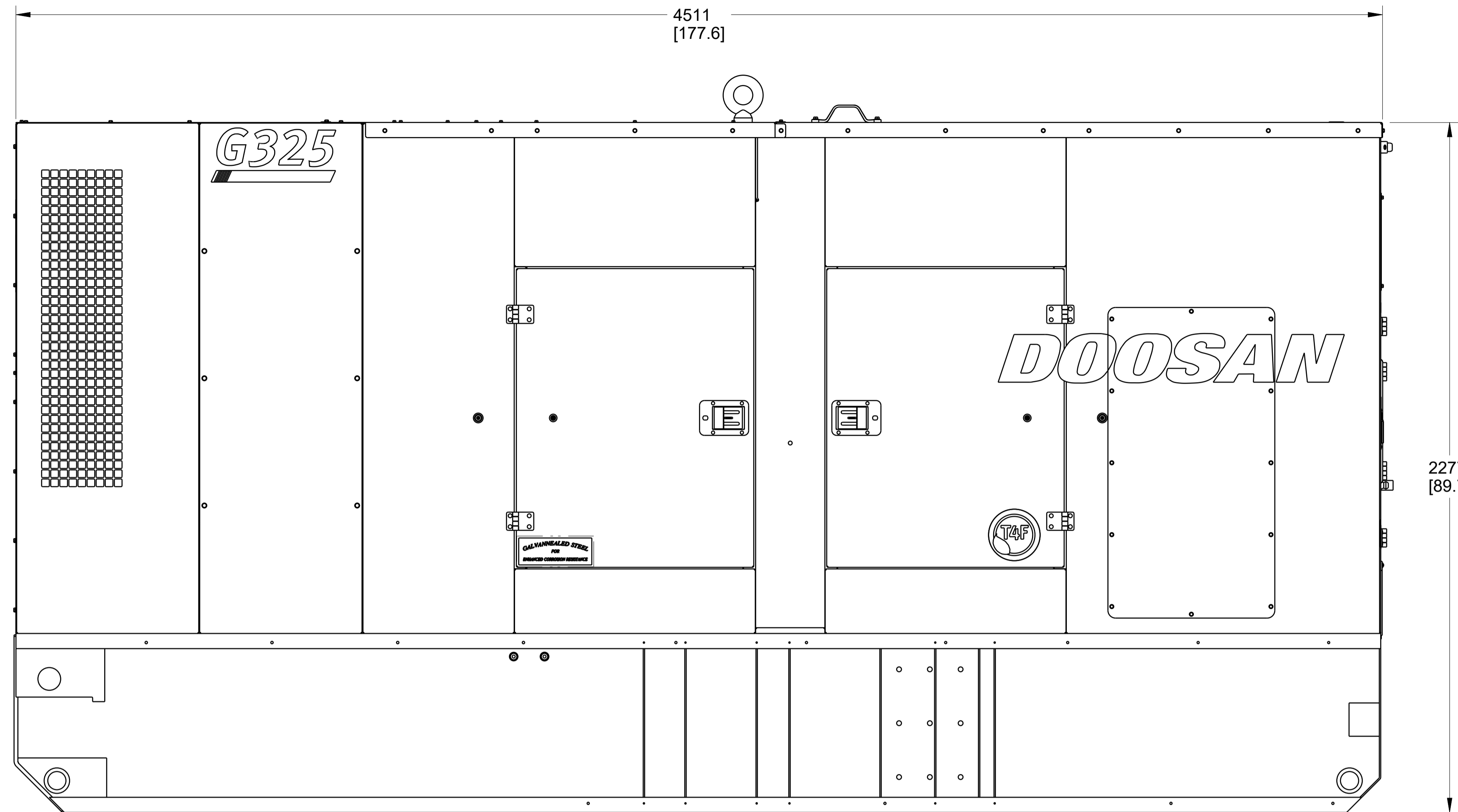
8 7 6 5 4 3 2 1

D

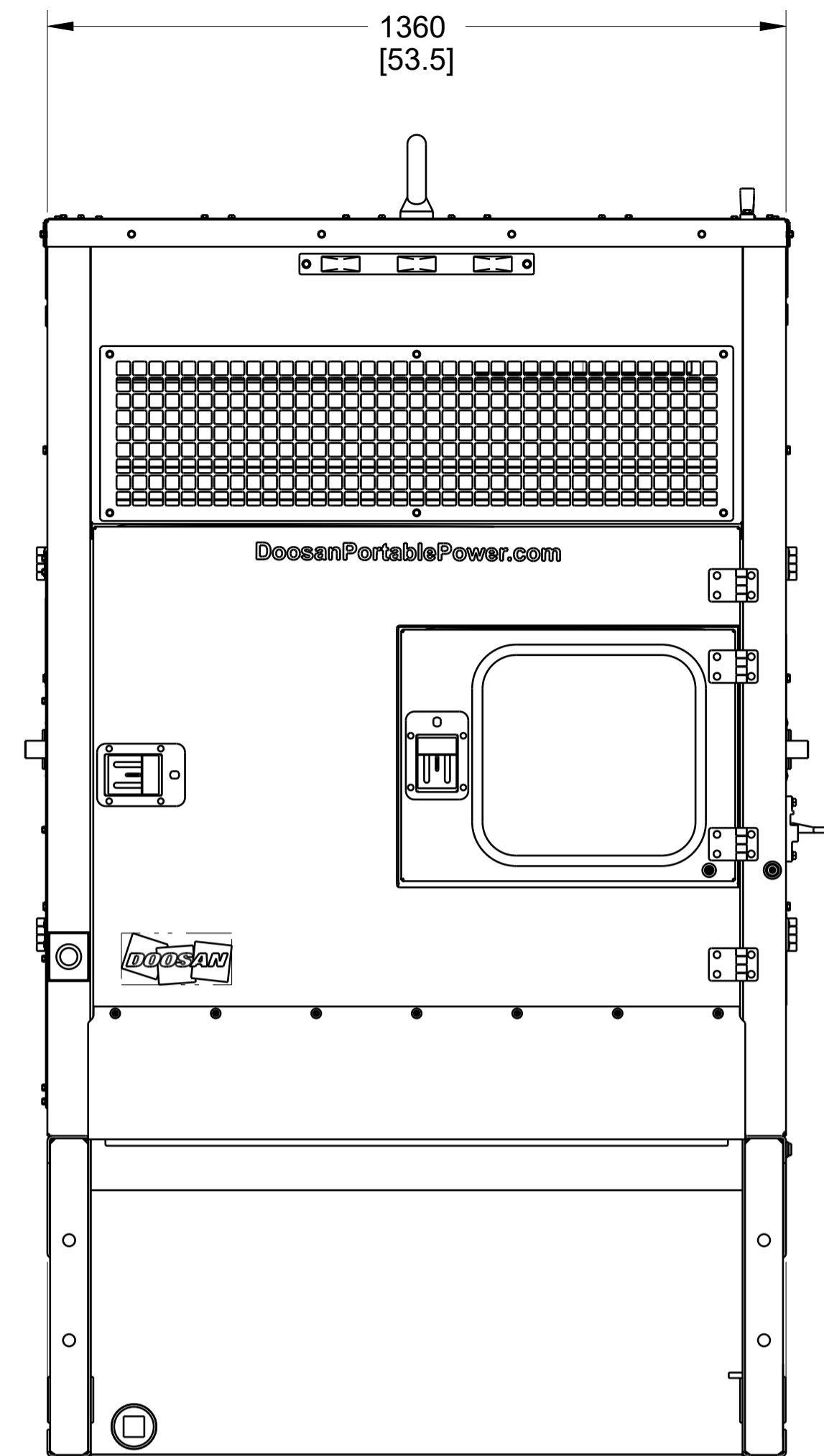
C

B

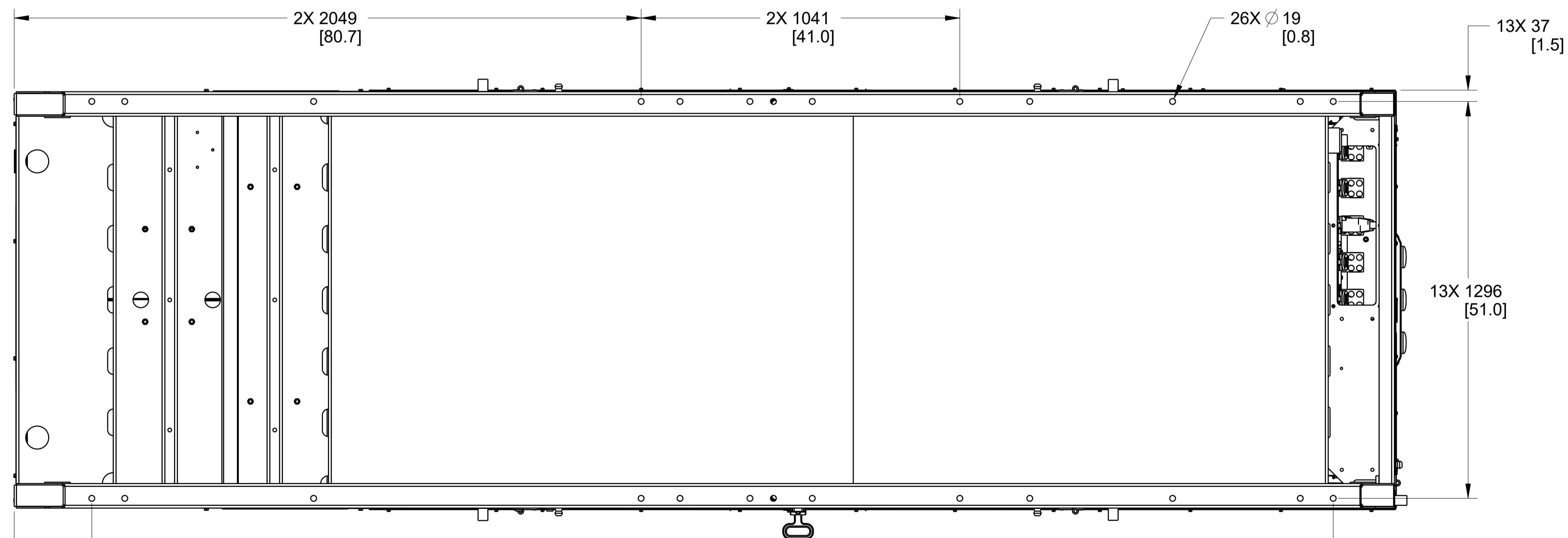
A



LESS RUNNING GEAR OPTION
(LEFT VIEW)



LESS RUNNING GEAR OPTION
(CONTROLS VIEW)



LESS RUNNING GEAR OPTION
(BOTTOM VIEW)

2X 254
[10.0]

2X 4057
[159.7]

13X 1296
[51.0]

PROPRIETARY NOTICE: THIS DRAWING CONTAINS CONFIDENTIAL AND TRADE SECRET INFORMATION. IS THE PROPERTY OF DOOSAN INFRACORE INTERNATIONAL, INC. AND IS GIVEN TO THE RECEIVER IN CONFIDENCE. THE RECEIVER BY RECEPTION AND RETENTION OF THE DRAWING ACCEPTS THE DRAWING IN CONFIDENCE AND AGREES THAT, EXCEPT AS AUTHORIZED IN WRITING BY DOOSAN INFRACORE INTERNATIONAL, INC., IT WILL (1) NOT USE THE DRAWING OR ANY COPY THEREOF OR THE CONFIDENTIAL OR TRADE SECRET INFORMATION THEREIN; (2) NOT COPY THE DRAWING; (3) NOT DISCLOSE TO OTHERS EITHER THE DRAWING OR THE CONFIDENTIAL OR TRADE SECRET INFORMATION THEREIN; AND (4) UPON COMPLETION OF THE NEED TO RETAIN THE DRAWING, OR UPON DEMAND, RETURN THE DRAWING, ALL COPIES THEREOF, AND ALL MATERIAL COPIED THEREFROM.

DOOSAN	ESTIMATED WEIGHT (KG UNLESS OTHERWISE SPECIFIED)	SCALE	SIZE	DWG NO.	REV
	N/A	N/A	A1	46646400	C
TITLE			UNIT:	SHEET 6 OF 6	
GENERAL ARRANGEMENT, G325			G325 T4F		